

INTRODUCED BY: COUNCIL MEMBER (s) Groeteke

1 **AN ORDINANCE AUTHORIZING JEFFERSON COUNTY, MISSOURI,**
2 **DEPARTMENT OF PUBLIC WORKS TO PURCHASE TWO (2) SINGLE AXEL**
3 **FREIGHTLINER DUMP TRUCKS FROM TRUCK CENTERS; AND THE**
4 **AUTHORIZATION FOR THE COUNTY EXECUTIVE TO EXECUTE ANY**
5 **NECESSARY AGREEMENTS OR CONTRACTS TO EFFECTUATE THE**
6 **PURCHASE.**

7 **WHEREAS**, Jefferson County, Missouri, (hereafter, the “County”) through the
8 Department of Public Works desires to purchase two (2) Single-Axle Freightliner Dump
9 Trucks from Truck Centers, Inc., under the, under the Missouri Department of
10 Transportation (MoDOT) Contract 60524CO0258; and

11 **WHEREAS**, Jefferson County, Missouri, (hereafter, the “County”) through the
12 Department of Public Works recommends the purchase of two (2) Single-Axle Freightliner
13 Dump Trucks from Truck Centers, under the Missouri Department of Transportation
14 (MoDOT) Contract 60524CO0258 which in turn utilizes the Missouri Buys Statewide
15 eProcurement System, for the following terms and conditions as authorized by the County:

PURCHASE EQUIPMENT

Two (2) Single-Axle Freightliner Dump Trucks

AWARDED BIDDER

Truck Centers, Inc.

FILED
FEB 15 2024
JEANNIE GOFF
COUNTY CLERK, JEFFERSON COUNTY, MO

1
2
3
4
5
6
7
8
9
10
11
12
13
14
15
16
17
18
19
20
21
22

PURCHASE COST

\$359,938.00 for two (2) Single-Axel Freightliner Dump Trucks

WHEREAS, the Jefferson County, Missouri, Council finds it is in the best interests of the County to purchase the two (2) Single-Axle Freightliner Dump Trucks from Truck Centers, Inc., under the Missouri Department of Transportation (MoDOT) Contract 60524CO0258 for a purchase amount of **\$359,938.00 for the two (2) Single-Axel Freightliner Dump Trucks** for a total amount not to exceed **\$359,938.00** subject to budgetary limitations; and,

WHEREAS, an unexecuted copy of the purchase is incorporated herein by reference and attached as Exhibit A.

NOW, THEREFORE, BE IT ENACTED BY THE JEFFERSON COUNTY, MISSOURI, COUNCIL, AS FOLLOWS:

Section 1. The County awards the following bids and proposals which are incorporated by this reference as if fully set out herein, to all the vendors bidding for each respective item or service as follows:

PURCHASE EQUIPMENT

Two (2) Single-Axel Freightliner Dump Trucks

BID NAME

Truck Centers, Inc.

TERM

Upon approval by the County Council and County Executive
for one-year

1
2
3
4
5
6
7
8
9
10
11
12
13
14
15
16
17
18

AMOUNT

For a purchase amount of **\$359,938.00**
For a total not to exceed **\$359,938.00**,
and subject to budgetary limitations

AWARDED BIDDER

Truck Centers, Inc.

Section 2. The Jefferson County, Missouri, Council hereby authorizes the County Executive to execute the purchase of the Two (2) Single-Axle Freightliner Dump Trucks an unexecuted copy of which is incorporated herein by reference and attached as Exhibit A. The County Executive is further authorized to take any and all actions necessary to carry out the intent of this Ordinance.

Section 3. Copies of all Invitations for Bid, Requests for Proposals, responses thereto, and any contracts or agreements shall be maintained by the Department of the County Clerk consistent with the rules and procedures for the maintenance and retention of records as promulgated by the Secretary of State.


Section 4. This Ordinance shall be in full force and effect from and after its date of approval. If any part of this Ordinance is invalid for any reason, such invalidity shall not affect the remainder of this Ordinance.

THIS BILL BEING DULY INTRODUCED, THE MEMBERS OF THE JEFFERSON COUNTY, MISSOURI, COUNCIL VOTED AS FOLLOWS:

Council Member District 1, Brian Haskins	<u>yes</u>
Council Member District 2, Gene F. Barbagallo	<u>yes</u>
Council Member District 3, Lori Arons	<u>yes</u>
Council Member District 4, Charles Groeteke	<u>yes</u>
Council Member District 5, Scott Seek	<u>yes</u>
Council Member District 6, Daniel Stallman	<u>yes</u>
Council Member District 7, Bob Tullock	<u>yes</u>

THE ABOVE BILL ON THIS 13 DAY OF February, 2024:

PASSED FAILED


Charles Groeteke, County Council Chair


Cherlynn Boyer, Council Executive Assistant

THIS BILL WAS ✓ APPROVED BY THE JEFFERSON COUNTY EXECUTIVE AND ENACTED AS AN ORDINANCE OF JEFFERSON COUNTY, MISSOURI, THIS 15 DAY OF February, 2024.

THIS BILL WAS _____ VETOED AND RETURNED TO THE JEFFERSON COUNTY, MISSOURI, COUNCIL WITH WRITTEN OBJECTIONS BY THE JEFFERSON COUNTY EXECUTIVE, THIS _____ DAY OF _____, 2024.


Dennis J. Gannon, Jefferson County, Missouri, Executive

ATTEST:


Jeannie Goff, County Clerk

BY: 

Reading Date: 02-13-2024

Prepared for:
Ryan Reed
MISSOURI DOT
830 MoDOT Drive
60524CO0258
JEFFERSON CITY, MO 65109
Phone: (573) 751-3685



ORDINANCE NO.

24-0126

Prepared by:
Matt Pace
TRUCK CENTERS, INC.
2280 FORMOSA RD.
TROY, IL 62294
Phone: 618-667-3454

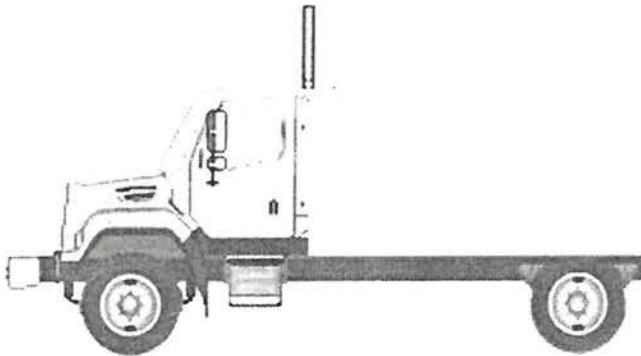


A proposal for
MISSOURI DOT

Prepared by
TRUCK CENTERS, INC.
Matt Pace

Jan 04, 2024

Freightliner 108SD Plus



Components shown may not reflect all spec'd options and are not to scale

Application Version 11.9.305
Data Version PRL-28D.024
Jefferson County MY25 108SD PLUS
37K DUM...



01/04/2024 9:25 AM

Page 1 of 22

Prepared for:
 Ryan Reed
 MISSOURI DOT
 830 MoDOT Drive
 60524CO0258
 JEFFERSON CITY, MO 65109
 Phone: (573) 751-3685

Prepared by:
 Matt Pace
 TRUCK CENTERS, INC.
 2280 FORMOSA RD.
 TROY, IL 62294
 Phone: 618-667-3454

Q U O T A T I O N

108SD PLUS CONVENTIONAL CHASSIS

SET BACK AXLE - TRUCK
 CUM L9 330 HP @ 2200 RPM; 2200 GOV RPM, 1000 LB-
 FT @ 1200 RPM
 ALLISON 3500 RDS AUTOMATIC TRANSMISSION WITH
 PTO PROVISION
 RS-23-160 23,000# R-SERIES SINGLE REAR AXLE
 23,000# FLAT LEAF SPRING REAR SUSPENSION WITH
 HELPER AND RADIUS ROD
 DETROIT DA-F-14.7-3 14,700# FF1 71.5 KPI/3.74 DROP
 SINGLE FRONT AXLE
 14,600# TAPERLEAF FRONT SUSPENSION

108 INCH BBC FLAT ROOF ALUMINUM CONVENTIONAL
 CAB
 3825MM (151 INCH) WHEELBASE
 NO FIFTH WHEEL
 7/16X3-9/16X11-1/8 INCH STEEL FRAME
 (11.11MMX282.6MM/0.437X11.13 INCH) 120KSI
 1650MM (65 INCH) REAR FRAME OVERHANG
 1/4 INCH (6.35MM) C-CHANNEL INNER FRAME
 REINFORCEMENT
 TEM TO EVALUATE AND INSTALL FRAME RAIL
 REINFORCEMENT AS NEEDED FOR FRONT
 FRAME MOUNTED EQUIPMENT

		PER UNIT		TOTAL
VEHICLE PRICE	TOTAL # OF UNITS (2)	\$	99,752	\$ 199,504
EXTENDED WARRANTY		\$	3,592	\$ 7,184
DEALER INSTALLED OPTIONS		\$	76,625	\$ 153,250
CUSTOMER PRICE BEFORE TAX		\$	179,969	\$ 359,938
TAXES AND FEES				
TAXES AND FEES		\$	0	\$ 0
OTHER CHARGES		\$	0	\$ 0
TRADE-IN				
TRADE-IN ALLOWANCE		\$	(0)	\$ (0)
BALANCE DUE		(LOCAL CURRENCY) \$	179,969	\$ 359,938

COMMENTS:

Projected delivery on ___ / ___ / ___ provided the order is received before ___ / ___ / ___.

APPROVAL:

Please indicate your acceptance of this quotation by signing below:

Customer: X _____ Date: ___ / ___ / ___.

PRICE MAY CHANGE DEPENDING ON MANUFACTURER SURCHARGES AND MODEL YEAR

DEPENDING ON FACTORY BUILD SLOTS AND PARTS RESTRAINTS THERE IS NO GUARANTEE ON BUILD DATE



Prepared for:
Ryan Reed
MISSOURI DOT
830 MoDOT Drive
60524CO0258
JEFFERSON CITY, MO 65109
Phone: (573) 751-3685

Prepared by:
Matt Pace
TRUCK CENTERS, INC.
2280 FORMOSA RD.
TROY, IL 62294
Phone: 618-667-3454

Daimler Truck Financial

Financing that works for you

See your local dealer for a competitive quote from Daimler Truck Financial, or contact us at Information@dtfoffers.com.

Daimler Truck Financial offers a variety of finance, lease and insurance solutions to fit your business needs. For more information about our products and services, visit our website at www.daimler-truckfinancial.com.



Prepared for:
 Ryan Reed
 MISSOURI DOT
 830 MoDOT Drive
 60524CO0258
 JEFFERSON CITY, MO 65109
 Phone: (573) 751-3685

Prepared by:
 Matt Pace
 TRUCK CENTERS, INC.
 2280 FORMOSA RD.
 TROY, IL 62294
 Phone: 618-667-3454

S P E C I F I C A T I O N P R O P O S A L

Data Code	Description	Weight Front	Weight Rear	Retail Price
Price Level				
PRL-28D	SD PRL-28D (EFF:MY25 ORDERS)			STD
Data Version				
DRL-024	SPECPRO21 DATA RELEASE VER 024			N/C
Vehicle Configuration				
001-176	108SD PLUS CONVENTIONAL CHASSIS	6,829	3,748	\$133,998.00
004-225	2025 MODEL YEAR SPECIFIED			STD
002-004	SET BACK AXLE - TRUCK			STD
019-006	TRAILER TOWING PROVISION AT END OF FRAME WITH SAE J560	10	10	\$1,025.00
003-001	LH PRIMARY STEERING LOCATION			STD
General Service				
AA1-003	TRUCK/TRAILER CONFIGURATION			N/C
AA6-002	DOMICILED, USA (EXCLUDING CALIFORNIA AND CARB OPT-IN STATES)			N/C
99D-027	EPA EMISSIONS CERTIFICATION FOR REGISTRATION OUTSIDE CARB STATES - EPA CLEAN IDLE (INCLUDES 6X4 INCH LABEL ON LOWER FORWARD OF DRIVER DOOR)			N/C
AF2-998	NO STATE/PROVINCE INITIAL REGISTRATION SELECTED			N/C
A85-010	UTILITY/REPAIR/MAINTENANCE SERVICE			N/C
A84-1GM	GOVERNMENT BUSINESS SEGMENT			N/C
AA4-010	DIRT/SAND/ROCK COMMODITY			N/C
AA5-002	TERRAIN/DUTY: 100% (ALL) OF THE TIME, IN TRANSIT, IS SPENT ON PAVED ROADS			STD
AB1-008	MAXIMUM 8% EXPECTED GRADE			STD
AB5-001	SMOOTH CONCRETE OR ASPHALT PAVEMENT - MOST SEVERE IN-TRANSIT (BETWEEN SITES) ROAD SURFACE			STD
995-1A0	FREIGHTLINER SD VOCATIONAL WARRANTY			STD
A66-99D	EXPECTED FRONT AXLE(S) LOAD : 14600.0 lbs			



Prepared for:
 Ryan Reed
 MISSOURI DOT
 830 MoDOT Drive
 60524CO0258
 JEFFERSON CITY, MO 65109
 Phone: (573) 751-3685

Prepared by:
 Matt Pace
 TRUCK CENTERS, INC.
 2280 FORMOSA RD.
 TROY, IL 62294
 Phone: 618-667-3454

Data Code	Description	Weight Front	Weight Rear	Retail Price
A68-99D	EXPECTED REAR DRIVE AXLE(S) LOAD : 23000.0 lbs			
A63-99D	EXPECTED GROSS VEHICLE WEIGHT CAPACITY : 37600.0 lbs			
A70-99D	EXPECTED GROSS COMBINATION WEIGHT : 40000.0 lbs			
Truck Service				
AA3-018	FRONT PLOW/END DUMP BODY			N/C
AF3-2B1	VIKING-CIVES MIDWEST			N/C
Engine				
101-3BP	CUM L9 330 HP @ 2200 RPM; 2200 GOV RPM, 1000 LB-FT @ 1200 RPM			\$3,051.00
Electronic Parameters				
79A-068	68 MPH ROAD SPEED LIMIT			N/C
79B-000	CRUISE CONTROL SPEED LIMIT SAME AS ROAD SPEED LIMIT			N/C
79K-012	PTO MODE ENGINE RPM LIMIT - 1500 RPM			N/C
79P-002	PTO RPM WITH CRUISE SET SWITCH - 700 RPM			N/C
79Q-002	PTO RPM WITH CRUISE RESUME SWITCH - 700 RPM			N/C
79U-007	PTO GOVERNOR RAMP RATE - 250 RPM PER SECOND			N/C
79V-001	FUEL DOSING OF AFTERTREATMENT ENABLED IN PTO MODE-CLEANS HYDROCARBONS AT HIGH TEMPERATURES ONLY			N/C
79W-024	CRUISE CONTROL BUTTON PTO CONTROL			N/C
80G-002	PTO MINIMUM RPM - 700			N/C
80J-002	REGEN INHIBIT SPEED THRESHOLD - 5 MPH			N/C
80S-003	PTO 1, DASH SWITCH, ENGAGE BEFORE DRIVING			N/C
80V-001	ENGINE MOUNT PTO, DASH SWITCH ENGAGES PTO MODE, STATIONARY OPERATION			N/C
Engine Equipment				
99C-024	EPA 2010/GHG 2024 CONFIGURATION			STD
13E-001	STANDARD OIL PAN			STD
105-001	ENGINE MOUNTED OIL CHECK AND FILL			STD
014-108	SIDE OF HOOD AIR INTAKE WITH FIREWALL MOUNTED DONALDSON AIR CLEANER WITH SAFETY ELEMENT AND INSIDE/OUTSIDE AIR WITH SNOW DOOR	10		\$562.00



Prepared for:
 Ryan Reed
 MISSOURI DOT
 830 MoDOT Drive
 60524CO0258
 JEFFERSON CITY, MO 65109
 Phone: (573) 751-3685

Prepared by:
 Matt Pace
 TRUCK CENTERS, INC.
 2280 FORMOSA RD.
 TROY, IL 62294
 Phone: 618-667-3454

Data Code	Description	Weight Front	Weight Rear	Retail Price
124-1E1	DR 12V 200 AMP 28-SI QUADRAMOUNT PAD ALTERNATOR WITH REMOTE BATTERY VOLT SENSE			\$143.00
292-235	(2) DTNA GENUINE, FLOODED STARTING, MIN 2000CCA, 370RC, THREADED STUD BATTERIES			STD
290-017	BATTERY BOX FRAME MOUNTED			STD
281-001	STANDARD BATTERY JUMPERS			STD
282-001	SINGLE BATTERY BOX FRAME MOUNTED LH SIDE UNDER CAB			\$18.00
291-017	WIRE GROUND RETURN FOR BATTERY CABLES WITH ADDITIONAL FRAME GROUND RETURN			STD
289-001	NON-POLISHED BATTERY BOX COVER			STD
295-029	POSITIVE AND NEGATIVE POSTS FOR JUMPSTART LOCATED ON FRAME NEXT TO STARTER	2		\$88.00
306-015	PROGRESSIVE LOW VOLTAGE DISCONNECT AT 12.3 VOLTS FOR DESIGNATED CIRCUITS			STD
107-032	CUMMINS TURBOCHARGED 18.7 CFM AIR COMPRESSOR WITH INTERNAL SAFETY VALVE			STD
152-041	ELECTRONIC ENGINE INTEGRAL SHUTDOWN PROTECTION SYSTEM			STD
128-076	CUMMINS ENGINE INTEGRAL BRAKE WITH VARIABLE GEOMETRY TURBO ON/OFF	20		STD
016-1C2	RH OUTBOARD UNDER STEP MOUNTED HORIZONTAL AFTERTREATMENT SYSTEM ASSEMBLY WITH RH B-PILLAR MOUNTED VERTICAL TAILPIPE	30	25	\$816.00
28F-014	ENGINE AFTERTREATMENT DEVICE, AUTOMATIC OVER THE ROAD REGENERATION AND VIRTUAL REGENERATION REQUEST SWITCH IN CLUSTER			STD
239-026	10 FOOT 06 INCH (126 INCH+0/-5.9 INCH) EXHAUST SYSTEM HEIGHT			(\$3.00)
237-1CR	RH CURVED VERTICAL TAILPIPE B-PILLAR MOUNTED ROUTED FROM STEP			N/C
23U-001	6 GALLON DIESEL EXHAUST FLUID TANK	-35	-10	N/C
30N-003	100 PERCENT DIESEL EXHAUST FLUID FILL			(\$17.00)
23Y-001	STANDARD DIESEL EXHAUST FLUID PUMP MOUNTING			STD
43X-002	LH MEDIUM DUTY STANDARD DIESEL EXHAUST FLUID TANK LOCATION			STD
43Y-001	STANDARD DIESEL EXHAUST FLUID TANK CAP			STD
242-011	ALUMINUM AFTERTREATMENT DEVICE/MUFFLER/TAILPIPE SHIELD(S)			N/C
273-058	AIR POWERED ON/OFF ENGINE FAN CLUTCH			STD



Prepared for:
 Ryan Reed
 MISSOURI DOT
 830 MoDOT Drive
 60524CO0258
 JEFFERSON CITY, MO 65109
 Phone: (573) 751-3685

Prepared by:
 Matt Pace
 TRUCK CENTERS, INC.
 2280 FORMOSA RD.
 TROY, IL 62294
 Phone: 618-667-3454

Data Code	Description	Weight Front	Weight Rear	Retail Price
276-001	AUTOMATIC FAN CONTROL WITHOUT DASH SWITCH, NON ENGINE MOUNTED			STD
110-003	CUMMINS SPIN ON FUEL FILTER			STD
118-008	COMBINATION FULL FLOW/BYPASS OIL FILTER			STD
266-104	1115 SQUARE INCH ALUMINUM RADIATOR			STD
103-039	ANTIFREEZE TO -34F, OAT (NITRITE AND SILICATE FREE) EXTENDED LIFE COOLANT			STD
171-007	GATES BLUE STRIPE COOLANT HOSES OR EQUIVALENT			STD
172-001	CONSTANT TENSION HOSE CLAMPS FOR COOLANT HOSES			STD
270-016	RADIATOR DRAIN VALVE			STD
138-011	PHILLIPS-TEMRO 1000 WATT/115 VOLT BLOCK HEATER	4		\$92.00
140-053	BLACK PLASTIC ENGINE HEATER RECEPTACLE MOUNTED UNDER LH DOOR			N/C
132-004	ELECTRIC GRID AIR INTAKE WARMER			STD
155-058	DELCO 12V 38MT HD STARTER WITH INTEGRATED MAGNETIC SWITCH			STD
Transmission				
342-584	ALLISON 3500 RDS AUTOMATIC TRANSMISSION WITH PTO PROVISION			(\$75.00)
Transmission Equipment				
343-339	ALLISON VOCATIONAL PACKAGE 223 - AVAILABLE ON 3000/4000 PRODUCT FAMILIES WITH VOCATIONAL MODELS RDS, HS, MH AND TRV			STD
84B-012	ALLISON VOCATIONAL RATING FOR ON/OFF HIGHWAY APPLICATIONS AVAILABLE WITH ALL PRODUCT FAMILIES			N/C
84C-023	PRIMARY MODE GEARS, LOWEST GEAR 1, START GEAR 1, HIGHEST GEAR 6, AVAILABLE FOR 3000/4000 PRODUCT FAMILIES ONLY			STD
84D-023	SECONDARY MODE GEARS, LOWEST GEAR 1, START GEAR 1, HIGHEST GEAR 6, AVAILABLE FOR 3000/4000 PRODUCT FAMILIES ONLY			STD
84E-017	S5 PERFORMANCE LIMITING PRIMARY SHIFT SCHEDULE, AVAILABLE FOR 3000/4000 PRODUCT FAMILIES ONLY			N/C
84F-016	S5 PERFORMANCE LIMITING SECONDARY SHIFT SCHEDULE, AVAILABLE FOR 3000/4000 PRODUCT FAMILIES ONLY			N/C
84G-013	2100 RPM PRIMARY MODE SHIFT SPEED			N/C
84H-014	2200 RPM SECONDARY MODE SHIFT SPEED			N/C



Prepared for:
 Ryan Reed
 MISSOURI DOT
 830 MoDOT Drive
 60524CO0258
 JEFFERSON CITY, MO 65109
 Phone: (573) 751-3685

Prepared by:
 Matt Pace
 TRUCK CENTERS, INC.
 2280 FORMOSA RD.
 TROY, IL 62294
 Phone: 618-667-3454

Data Code	Description	Weight Front	Weight Rear	Retail Price
84K-002	2ND GEAR ENGINE BRAKE ALTERNATE PRESELECT WITH MODERATE DOWNSHIFT STRATEGY			STD
84N-200	FUEL SENSE 2.0 DISABLED - PERFORMANCE - TABLE BASED			STD
84U-000	DRIVER SWITCH INPUT - DEFAULT - NO SWITCHES			STD
85E-009	MAXIMUM ENGINE SPEED FOR PTO ENGAGEMENT 900 RPM			N/C
85F-048	MAXIMUM ENGINE SPEED FOR PTO OPERATION 2700 RPM			N/C
85G-009	MAXIMUM OUTPUT SPEED FOR PTO ENGAGEMENT 250 RPM			N/C
85H-159	MAXIMUM OUTPUT SPEED FOR PTO OPERATION 4000 RPM - ALLISON 5TH GEN TRANSMISSIONS			N/C
353-076	QUICKFIT BODY LIGHTING CONNECTOR AT END OF FRAME, WITH BLUNTCUTS			\$200.00
34C-011	ELECTRONIC TRANSMISSION WIRING TO CUSTOMER INTERFACE CONNECTOR			\$125.00
362-823	CUSTOMER INSTALLED CHELSEA 280 SERIES PTO			N/C
363-001	PTO MOUNTING, LH SIDE OF MAIN TRANSMISSION ALLISON			N/C
341-018	MAGNETIC PLUGS, ENGINE DRAIN, TRANSMISSION DRAIN, AXLE(S) FILL AND DRAIN			STD
345-003	PUSH BUTTON ELECTRONIC SHIFT CONTROL, DASH MOUNTED			\$254.00
97G-004	TRANSMISSION PROGNOSTICS - ENABLED 2013			STD
370-015	WATER TO OIL TRANSMISSION COOLER, IN RADIATOR END TANK			STD
346-003	TRANSMISSION OIL CHECK AND FILL WITH ELECTRONIC OIL LEVEL CHECK			STD
35T-001	SYNTHETIC TRANSMISSION FLUID (TES-295 COMPLIANT)			STD

Front Axle and Equipment

400-1A8	DETROIT DA-F-14.7-3 14,700# FF1 71.5 KPI/3.74 DROP SINGLE FRONT AXLE	10		\$980.00
402-049	MERITOR 16.5X5 Q+ CAST SPIDER CAM FRONT BRAKES, DOUBLE ANCHOR, FABRICATED SHOES			N/C
403-002	NON-ASBESTOS FRONT BRAKE LINING			STD
419-023	CONMET CAST IRON FRONT BRAKE DRUMS			\$8.00
427-001	FRONT BRAKE DUST SHIELDS	5		\$102.00



Prepared for:
 Ryan Reed
 MISSOURI DOT
 830 MoDOT Drive
 60524CO0258
 JEFFERSON CITY, MO 65109
 Phone: (573) 751-3685

Prepared by:
 Matt Pace
 TRUCK CENTERS, INC.
 2280 FORMOSA RD.
 TROY, IL 62294
 Phone: 618-667-3454

Data Code	Description	Weight Front	Weight Rear	Retail Price
409-006	FRONT OIL SEALS			STD
408-001	VENTED FRONT HUB CAPS WITH WINDOW, CENTER AND SIDE PLUGS - OIL			STD
416-022	STANDARD SPINDLE NUTS FOR ALL AXLES			STD
405-002	MERITOR AUTOMATIC FRONT SLACK ADJUSTERS			STD
406-001	STANDARD KING PIN BUSHINGS			STD
536-012	TRW TAS-85 POWER STEERING	40		N/C
539-003	POWER STEERING PUMP			STD
534-015	2 QUART SEE THROUGH POWER STEERING RESERVOIR			STD
40T-002	CURRENT AVAILABLE SYNTHETIC 75W-90 FRONT AXLE LUBE			\$17.00
Front Suspension				
620-010	14,600# TAPERLEAF FRONT SUSPENSION	170		\$484.00
619-005	MAINTENANCE FREE RUBBER BUSHINGS - FRONT SUSPENSION			STD
410-001	FRONT SHOCK ABSORBERS			STD
Rear Axle and Equipment				
420-051	RS-23-160 23,000# R-SERIES SINGLE REAR AXLE		180	\$872.00
421-614	6.14 REAR AXLE RATIO			N/C
424-001	IRON REAR AXLE CARRIER WITH STANDARD AXLE HOUSING			STD
386-073	MXL 17T MERITOR EXTENDED LUBE MAIN DRIVELINE WITH HALF ROUND YOKES			STD
452-001	DRIVER CONTROLLED TRACTION DIFFERENTIAL - SINGLE REAR AXLE		20	\$734.00
878-018	(1) DRIVER CONTROLLED DIFFERENTIAL LOCK REAR VALVE FOR SINGLE DRIVE AXLE			N/C
87B-015	INDICATOR LIGHT FOR EACH DIFFERENTIAL LOCKOUT SWITCH, ENGAGE <5 MPH, DISENGAGE >25 MPH			N/C
423-033	MERITOR 16.5X7 Q+ CAST SPIDER HEAVY DUTY CAM REAR BRAKES, DOUBLE ANCHOR, FABRICATED SHOES			\$140.00
433-002	NON-ASBESTOS REAR BRAKE LINING			STD
434-011	BRAKE CAMS AND CHAMBERS ON FORWARD SIDE OF DRIVE AXLE(S)			N/C
451-023	CONMET CAST IRON REAR BRAKE DRUMS			\$43.00
425-002	REAR BRAKE DUST SHIELDS		5	\$65.00
440-006	REAR OIL SEALS			STD



Prepared for:
 Ryan Reed
 MISSOURI DOT
 830 MoDOT Drive
 60524CO0258
 JEFFERSON CITY, MO 65109
 Phone: (573) 751-3685

Prepared by:
 Matt Pace
 TRUCK CENTERS, INC.
 2280 FORMOSA RD.
 TROY, IL 62294
 Phone: 618-667-3454

Data Code	Description	Weight Front	Weight Rear	Retail Price
426-100	WABCO TRISTOP D LONGSTROKE 1-DRIVE AXLE SPRING PARKING CHAMBERS			STD
428-002	MERITOR AUTOMATIC REAR SLACK ADJUSTERS			STD
41T-002	CURRENT AVAILABLE SYNTHETIC 75W-90 REAR AXLE LUBE			STD
42T-001	STANDARD REAR AXLE BREATHER(S)			STD
Rear Suspension				
622-003	23,000# FLAT LEAF SPRING REAR SUSPENSION WITH HELPER AND RADIUS ROD		50	\$347.00
621-001	SPRING SUSPENSION - NO AXLE SPACERS			STD
431-001	STANDARD AXLE SEATS IN AXLE CLAMP GROUP			STD
623-005	FORE/AFT CONTROL RODS			STD
Pusher / Tag Equipment				
429-998	NO PUSHER/TAG BRAKE DUST SHIELDS			STD
Brake System				
490-1AU	WABCO 4S/4M ABS WITH TRACTION CONTROL WITH ATC SHUT OFF SWITCH			\$232.00
871-001	REINFORCED NYLON, FABRIC BRAID AND WIRE BRAID CHASSIS AIR LINES			STD
904-001	FIBER BRAID PARKING BRAKE HOSE			STD
412-001	STANDARD BRAKE SYSTEM VALVES			STD
46D-002	STANDARD AIR SYSTEM PRESSURE PROTECTION SYSTEM			STD
413-002	STD U.S. FRONT BRAKE VALVE			STD
432-003	RELAY VALVE WITH 5-8 PSI CRACK PRESSURE, NO REAR PROPORTIONING VALVE			STD
480-086	BW AD-9SI BRAKE LINE AIR DRYER WITH HEATER			\$2.00
479-003	AIR DRYER MOUNTED INBOARD ON LH RAIL			N/C
460-001	STEEL AIR BRAKE RESERVOIRS			STD
477-036	PULL CABLES ON ALL AIR RESERVOIRS WITH KEY RING TYPE ATTACHMENT			\$3.00
Trailer Connections				
481-998	NO TRAILER AIR HOSE			STD
476-998	NO AIR HOSE HANGER			STD
914-001	AIR CONNECTIONS TO END OF FRAME WITH GLAD HANDS FOR TRUCK AND NO DUST COVERS			N/C



Prepared for:
 Ryan Reed
 MISSOURI DOT
 830 MoDOT Drive
 60524CO0258
 JEFFERSON CITY, MO 65109
 Phone: (573) 751-3685

Prepared by:
 Matt Pace
 TRUCK CENTERS, INC.
 2280 FORMOSA RD.
 TROY, IL 62294
 Phone: 618-667-3454

Data Code	Description	Weight Front	Weight Rear	Retail Price
919-059	(1) ADDITIONAL SWITCH FOR ELEC/AIR SOLENOID W/STATE RETENTION PLUMBED TO END OF FRAME			\$144.00
296-027	PRIMARY CONNECTOR/RECEPTACLE WIRED FOR COMBINATION STOP/TURN, CENTER PIN POWERED THROUGH IGNITION WITH STOP SIGNAL PREWIRE PACKAGE			\$59.00
50V-002	PDI INSTALLED ELECTRIC BRAKE CONTROLLER			\$432.00
303-025	SAE J560 7-WAY PRIMARY TRAILER CABLE RECEPTACLE MOUNTED END OF FRAME			N/C
310-998	NO TRAILER ELECTRICAL CABLE			STD
Wheelbase & Frame				
545-382	3825MM (151 INCH) WHEELBASE			N/C
546-102	7/16X3-9/16X11-1/8 INCH STEEL FRAME (11.11MMX282.6MM/0.437X11.13 INCH) 120KSI	110	170	\$720.00
547-001	1/4 INCH (6.35MM) C-CHANNEL INNER FRAME REINFORCEMENT	140	340	\$1,000.00
548-803	TEM TO EVALUATE AND INSTALL FRAME RAIL REINFORCEMENT AS NEEDED FOR FRONT FRAME MOUNTED EQUIPMENT			N/C
552-032	1650MM (65 INCH) REAR FRAME OVERHANG			N/C
55W-006	FRAME OVERHANG RANGE: 61 INCH TO 70 INCH			N/C
549-002	24 INCH INTEGRAL FRONT FRAME EXTENSION	140	-20	\$4.00
AC8-99D	CALC'D BACK OF CAB TO REAR SUSP C/L (CA) : 85.04 in			
AE8-99D	CALCULATED EFFECTIVE BACK OF CAB TO REAR SUSPENSION C/L (CA) : 82.04 in			
AE4-99D	CALC'D FRAME LENGTH - OVERALL : 280.75 in			
FSS-0LH	CALCULATED FRAME SPACE LH SIDE : 48.36 in			N/C
FSS-0RH	CALCULATED FRAME SPACE RH SIDE : 52.42 in			N/C
553-001	SQUARE END OF FRAME			STD
550-001	FRONT CLOSING CROSSMEMBER			STD
559-001	STANDARD WEIGHT ENGINE CROSSMEMBER			STD
562-001	STANDARD MIDSHIP #1 CROSSMEMBER(S)			STD
572-001	STANDARD REARMOST CROSSMEMBER			STD
565-001	STANDARD SUSPENSION CROSSMEMBER			STD
Chassis Equipment				
556-1E5	14 INCH PAINTED STEEL BUMPER			STD
558-001	FRONT TOW HOOKS - FRAME MOUNTED	15		\$80.00
574-001	BUMPER MOUNTING FOR SINGLE LICENSE PLATE			STD



Prepared for:
 Ryan Reed
 MISSOURI DOT
 830 MoDOT Drive
 60524CO0258
 JEFFERSON CITY, MO 65109
 Phone: (573) 751-3685

Prepared by:
 Matt Pace
 TRUCK CENTERS, INC.
 2280 FORMOSA RD.
 TROY, IL 62294
 Phone: 618-667-3454

Data Code	Description	Weight Front	Weight Rear	Retail Price
585-998	NO MUDFLAP BRACKETS			STD
590-998	NO REAR MUDFLAPS			STD
551-007	GRADE 8 THREADED HEX HEADED FRAME FASTENERS			STD
44Z-002	EXTERIOR HARNESES WRAPPED IN ABRASION TAPE			STD
607-001	CLEAR FRAME RAILS FROM BACK OF CAB TO FRONT REAR SUSPENSION BRACKET, BOTH RAILS OUTBOARD			\$218.00
Fifth Wheel				
578-998	NO FIFTH WHEEL			STD
Fuel Tanks				
204-215	50 GALLON/189 LITER SHORT RECTANGULAR ALUMINUM FUEL TANK - LH	-10		\$30.00
218-005	RECTANGULAR FUEL TANK(S)			N/C
215-005	PLAIN ALUMINUM/PAINTED STEEL FUEL/HYDRAULIC TANK(S) WITH PAINTED BANDS			STD
212-007	FUEL TANK(S) FORWARD			STD
664-001	PLAIN STEP FINISH			STD
205-001	FUEL TANK CAP(S)			STD
122-1J1	DETROIT FUEL/WATER SEPARATOR WITH WATER IN FUEL SENSOR, HAND PRIMER AND 12 VOLT PREHEATER"	-5		\$51.00
216-020	EQUIFLO INBOARD FUEL SYSTEM			STD
202-016	HIGH TEMPERATURE REINFORCED NYLON FUEL LINE			STD
Tires				
093-1YU	CONTINENTAL HAU 3 WT 315/80R22.5 20 PLY RADIAL FRONT TIRES	100		\$482.00
094-12P	CONTINENTAL HDR2+ 11R22.5 14 PLY RADIAL REAR TIRES		92	(\$412.00)
Hubs				
418-060	CONMET PRESET PLUS PREMIUM IRON FRONT HUBS			STD
450-060	CONMET PRESET PLUS PREMIUM IRON REAR HUBS			STD
Wheels				
502-579	MAXION WHEELS 10041 22.5X9.00 10-HUB PILOT 5.25 INSET 5-HAND STEEL DISC FRONT WHEELS	66		\$204.00



Prepared for:
 Ryan Reed
 MISSOURI DOT
 830 MoDOT Drive
 60524CO0258
 JEFFERSON CITY, MO 65109
 Phone: (573) 751-3685

Prepared by:
 Matt Pace
 TRUCK CENTERS, INC.
 2280 FORMOSA RD.
 TROY, IL 62294
 Phone: 618-667-3454

Data Code	Description	Weight Front	Weight Rear	Retail Price
505-545	MAXION WHEELS 90260 22.5X8.25 10-HUB PILOT 2-HAND HD STEEL DISC REAR WHEELS		80	(\$32.00)
496-011	FRONT WHEEL MOUNTING NUTS			STD
497-011	REAR WHEEL MOUNTING NUTS			STD
498-011	NYLON WHEEL GUARDS FRONT AND REAR ALL INTERFACES			\$32.00
Cab Exterior				
829-1A5	108 INCH BBC FLAT ROOF ALUMINUM CONVENTIONAL CAB			STD
650-008	AIR CAB MOUNTING			STD
648-002	NONREMOVABLE BUGSCREEN MOUNTED BEHIND GRILLE			STD
667-037	SHORT FENDER WITH MUDFLAP			\$141.00
754-017	BOLT-ON MOLDED FLEXIBLE FENDER EXTENSIONS	10		\$115.00
678-001	LH AND RH GRAB HANDLES			STD
646-041	STATIONARY BLACK GRILLE			STD
65X-004	BLACK HOOD MOUNTED AIR INTAKE GRILLE			STD
644-004	FIBERGLASS HOOD			STD
690-002	TUNNEL/FIREWALL LINER			STD
727-1AH	SINGLE 14 INCH ROUND POLISHED AIR HORN ROOF MOUNTED			STD
726-001	SINGLE ELECTRIC HORN			STD
728-001	SINGLE HORN SHIELD			STD
312-068	HALOGEN COMPOSITE HEADLAMPS WITH BLACK BEZELS			STD
302-047	LED AERODYNAMIC MARKER LIGHTS			STD
314-824	WIRING AND SWITCH FOR CUSTOMER FURNISHED SNOW PLOW LAMPS WITH DUAL CONNECTIONS AT BUMPER			\$162.00
311-019	HEADLIGHTS ON WITH WIPERS, WITH DAYTIME RUNNING LIGHTS			\$12.00
294-001	INTEGRAL STOP/TAIL/BACKUP LIGHTS			STD
300-015	STANDARD FRONT TURN SIGNAL LAMPS			STD
318-032	SWITCH, INDICATOR LIGHT AND APPROXIMATELY 10 FEET OF WIRE ON CHASSIS RH BACK OF CAB FOR CUSTOMER FURNISHED UTILITY LIGHT(S)			\$47.00
744-1BG	DUAL WEST COAST MOLDED-IN COLOR HEATED MIRRORS			(\$60.00)
797-001	DOOR MOUNTED MIRRORS			STD
796-001	102 INCH EQUIPMENT WIDTH			STD



Prepared for:
 Ryan Reed
 MISSOURI DOT
 830 MoDOT Drive
 60524CO0258
 JEFFERSON CITY, MO 65109
 Phone: (573) 751-3685

Prepared by:
 Matt Pace
 TRUCK CENTERS, INC.
 2280 FORMOSA RD.
 TROY, IL 62294
 Phone: 618-667-3454

Data Code	Description	Weight Front	Weight Rear	Retail Price
743-1AP	LH AND RH 8 INCH MOLDED-IN COLOR CONVEX MIRRORS MOUNTED UNDER PRIMARY MIRRORS			STD
729-001	STANDARD SIDE/REAR REFLECTORS			STD
275-061	PARK BRAKE REMINDER WARNING SYSTEM			\$3.00
768-043	63X14 INCH TINTED REAR WINDOW			STD
661-003	TINTED DOOR GLASS LH AND RH WITH TINTED NON-OPERATING WING WINDOWS			(\$117.00)
654-003	MANUAL DOOR WINDOW REGULATORS			(\$218.00)
663-029	1-PIECE BONDED HEATED WIPER PARK SOLAR GREEN GLASS WINDSHIELD			\$423.00
659-006	8 LITER (2 GAL) WINDSHIELD WASHER RESERVOIR, CAB MOUNTED, WITH FLUID LEVEL INDICATOR			\$15.00

Cab Interior

055-019	RUGGED TRIM PACKAGE			STD
707-107	GRAY & CARBON VINYL INTERIOR "RUGGED"			STD
70K-020	CARBON WITH PREMIUM GUNMETAL ACCENT (RUGGED)			STD
706-013	MOLDED PLASTIC DOOR PANEL			STD
708-013	MOLDED PLASTIC DOOR PANEL			STD
772-006	BLACK MATS WITH SINGLE INSULATION			STD
785-026	(1)DASH MOUNTED 12V POWER OUTLET, (1)DASH MOUNTED DUAL USB-C OUTLET			\$42.00
691-001	FORWARD ROOF MOUNTED CONSOLE			STD
696-012	CENTER STORAGE CONSOLE MOUNTED ON BACKWALL	20		\$26.00
693-019	LH AND RH DOOR STORAGE POCKETS INTEGRATED INTO MOLDED DOOR PANELS			STD
738-021	DIGITAL ALARM CLOCK IN DRIVER DISPLAY			STD
742-007	(2) CUP HOLDERS LH AND RH DASH			STD
680-029	M2/SD DASH			STD
700-002	HEATER, DEFROSTER AND AIR CONDITIONER			STD
701-008	STANDARD HVAC DUCTING WITH SNOW SHIELD FOR FRESH AIR INTAKE			\$31.00
703-005	MAIN HVAC CONTROLS WITH RECIRCULATION SWITCH			STD
170-045	STANDARD HEATER PLUMBING WITH BALL SHUTOFF VALVES AT SUPPLY LINES ONLY			\$16.00
130-041	VALEO HEAVY DUTY A/C REFRIGERANT COMPRESSOR			STD
702-002	BINARY CONTROL, R-134A			STD



Prepared for:
 Ryan Reed
 MISSOURI DOT
 830 MoDOT Drive
 60524CO0258
 JEFFERSON CITY, MO 65109
 Phone: (573) 751-3685

Prepared by:
 Matt Pace
 TRUCK CENTERS, INC.
 2280 FORMOSA RD.
 TROY, IL 62294
 Phone: 618-667-3454

Data Code	Description	Weight Front	Weight Rear	Retail Price
739-033	STANDARD INSULATION			STD
285-013	SOLID-STATE CIRCUIT PROTECTION AND FUSES			STD
280-007	12V NEGATIVE GROUND ELECTRICAL SYSTEM			STD
324-1B3	STANDARD LED CAB LIGHTING			STD
787-998	NO SECURITY DEVICE			(\$300.00)
657-001	DOOR LOCKS AND IGNITION SWITCH KEYED THE SAME			STD
78G-004	KEY QUANTITY OF 4			\$18.00
655-001	CAB DOOR LATCHES WITH MANUAL DOOR LOCKS			(\$99.00)
756-338	BASIC ISRINGHAUSEN HIGH BACK AIR SUSPENSION DRIVERS SEAT WITH MECHANICAL LUMBAR AND INTEGRATED CUSHION EXTENSION	30		\$167.00
760-338	BASIC ISRINGHAUSEN HIGH BACK AIR SUSPENSION PASSENGER SEAT WITH MECHANICAL LUMBAR AND INTEGRATED CUSHION EXTENSION	25	10	\$255.00
759-006	DUAL DRIVER SEAT ARMRESTS AND INBOARD PASSENGER SEAT ARMREST	6		\$104.00
711-004	LH AND RH INTEGRAL DOOR PANEL ARMRESTS			STD
758-1AK	BLACK VINYL DRIVER SEAT COVER			(\$78.00)
761-1AK	BLACK VINYL PASSENGER SEAT COVER			(\$74.00)
763-102	HIGH VISIBILITY ORANGE SEAT BELTS			\$26.00
532-002	ADJUSTABLE TILT AND TELESCOPING STEERING COLUMN			STD
540-044	4-SPOKE 18 INCH (450MM) BLACK STEERING WHEEL WITH SWITCHES			(\$124.00)
765-002	DRIVER AND PASSENGER INTERIOR SUN VISORS			STD

Instruments & Controls

* 4CH-006	6 EXTRA PROGRAMMABLE SWITCHES/INDICATORS \$C2A0071ZZ,C4U0215ZZ,C2B0000ZZ,C1B0000ZZ ,C2C0046ZZ,C2D0060ZZ			\$135.00
106-002	ELECTRONIC ACCELERATOR CONTROL			STD
732-998	NO INSTRUMENT PANEL-DRIVER			STD
734-022	FULLY CONFIGURABLE CENTER INSTRUMENT PANELS			STD
87L-001	ENGINE REMOTE INTERFACE WITH PARK BRAKE INTERLOCK			N/C
870-002	BRIGHT ARGENT FINISH GAUGE BEZELS			STD



Prepared for:
 Ryan Reed
 MISSOURI DOT
 830 MoDOT Drive
 60524CO0258
 JEFFERSON CITY, MO 65109
 Phone: (573) 751-3685

Prepared by:
 Matt Pace
 TRUCK CENTERS, INC.
 2280 FORMOSA RD.
 TROY, IL 62294
 Phone: 618-667-3454

Data Code	Description	Weight Front	Weight Rear	Retail Price
486-001	LOW AIR PRESSURE INDICATOR LIGHT AND AUDIBLE ALARM			STD
840-001	DUAL NEEDLE PRIMARY AND SECONDARY AIR PRESSURE GAUGE			STD
198-002	INTAKE MOUNTED AIR RESTRICTION INDICATOR WITH GRADUATIONS			\$12.00
721-001	97 DB BACKUP ALARM		3	\$47.00
149-015	ELECTRONIC CRUISE CONTROL WITH CONTROLS ON STEERING WHEEL SPOKES			STD
156-007	KEY OPERATED IGNITION SWITCH AND INTEGRAL START POSITION; 4 POSITION OFF/RUN/START/ACCESSORY			STD
811-044	PREMIUM INSTRUMENT CLUSTER WITH 5.0 INCH TFT COLOR DISPLAY			STD
81B-003	DIGITAL PANEL LAMP DIMMER SWITCH IN DRIVER DISPLAY			STD
160-038	HEAVY DUTY ONBOARD DIAGNOSTICS INTERFACE CONNECTOR LOCATED BELOW LH DASH			STD
844-001	2 INCH ELECTRIC FUEL GAUGE			STD
148-072	ENGINE REMOTE INTERFACE WITH ONE OR MORE SET SPEEDS			\$134.00
48H-004	QUICKFIT POWERTRAIN INTERFACE CONNECTOR UNDER CAB WITH BLUNTCUTS			\$96.00
48C-004	QUICKFIT PROGRAMMABLE INTERFACE CONNECTOR(S) UNDER CAB WITH BLUNTCUTS			\$46.00
163-014	ENGINE REMOTE INTERFACE CONNECTOR AT POWERTRAIN INTERFACE CONNECTOR			N/C
856-001	ELECTRICAL ENGINE COOLANT TEMPERATURE GAUGE			STD
852-002	ELECTRIC ENGINE OIL PRESSURE GAUGE			STD
864-001	2 INCH TRANSMISSION OIL TEMPERATURE GAUGE			\$30.00
867-004	ELECTRONIC OUTSIDE TEMPERATURE SENSOR DISPLAY IN DRIVER MESSAGE CENTER			STD
830-006	ENGINE AND TRIP HOUR METERS INTEGRAL WITHIN DRIVER DISPLAY AND HOBBS PTO OPERATION HOUR METER	2		\$52.00
33A-802	WIRING PROVISION FOR CUSTOMER FURNISHED ROOF MOUNTED STROBE/BEACON LIGHTS	2		\$137.00
372-123	PTO CONTROLS FOR ENHANCED VEHICLE ELECTRIC/ELECTRONIC ARCHITECTURE			\$40.00
736-998	NO OBSTACLE DETECTION SYSTEM			(\$4,324.00)



Prepared for:
 Ryan Reed
 MISSOURI DOT
 830 MoDOT Drive
 60524CO0258
 JEFFERSON CITY, MO 65109
 Phone: (573) 751-3685

Prepared by:
 Matt Pace
 TRUCK CENTERS, INC.
 2280 FORMOSA RD.
 TROY, IL 62294
 Phone: 618-667-3454

Data Code	Description	Weight Front	Weight Rear	Retail Price
72J-998	NO DR ASSIST SYSTEM			(\$32.00)
49B-004	ELECTRONIC STABILITY CONTROL			N/C
73B-998	NO LANE DEPARTURE WARNING SYSTEM			(\$1,080.00)
679-998	NO OVERHEAD INSTRUMENT PANEL			STD
35M-011	QUICKFIT PROGRAMMABLE INTERFACE MODULE + (4) 20 AMP FUSED RELAYS	10		\$173.00
61Z-013	PARAMETER 26-01031-020 PLOW FUNCTIONALITY WITH PLOW, SANDER, TAILGATE, BEACON, MASTER SWITCH			N/C
786-113	GENERIC TELEMATICS PREWIRE (CONSTANT BATTERY POWER/IGNITION/GROUND/J1939); RP1226 TYPE CONNECTOR AT PASSENGER SIDE OF DASH END			\$34.00
746-136	AM/FM/WB WORLD TUNER RADIO WITH AUXILIARY INPUT, J1939	10		N/C
747-001	DASH MOUNTED RADIO			STD
750-002	(2) RADIO SPEAKERS IN CAB			STD
753-998	NO AM/FM RADIO ANTENNA			(\$23.00)
748-006	POWER AND GROUND WIRING PROVISION OVERHEAD			N/C
749-001	ROOF/OVERHEAD CONSOLE CB RADIO PROVISION			N/C
752-017	MULTI-BAND AM/FM/WB/CB LH MIRROR MOUNTED ANTENNA SYSTEM			\$293.00
74D-006	STANDARD RADIO WIRING WITH STEERING WHEEL CONTROLS			STD
810-027	ELECTRONIC MPH SPEEDOMETER WITH SECONDARY KPH SCALE, WITHOUT ODOMETER			STD
817-001	STANDARD VEHICLE SPEED SENSOR			STD
812-001	ELECTRONIC 3000 RPM TACHOMETER			STD
813-1C8	DETROIT CONNECT PLATFORM HARDWARE			STD
8D1-303	3 YEARS DAIMLER CONNECTIVITY BASE PACKAGE (FEATURES VARY BY MODEL) POWERED BY DETROIT CONNECT			STD
6TS-008	(2) TMC RP1226 ACCESSORY CONNECTORS: (1) LOCATED BEHIND PASSENGER SIDE REMOVABLE DASH PANEL (1) CENTER OF OVERHEAD CONSOLE			\$30.00
162-002	IGNITION SWITCH CONTROLLED ENGINE STOP			STD
329-110	ONE EXTRA HARDWIRED SWITCH IN DASH, ROUTE TO UNDER CAB, CAPPED			\$75.00
4C1-005	HARDWIRE SWITCH #1, ON/OFF MOMENTARY, 20 AMPS IGNITION POWER			\$15.00



Prepared for:
 Ryan Reed
 MISSOURI DOT
 830 MoDOT Drive
 60524CO0258
 JEFFERSON CITY, MO 65109
 Phone: (573) 751-3685

Prepared by:
 Matt Pace
 TRUCK CENTERS, INC.
 2280 FORMOSA RD.
 TROY, IL 62294
 Phone: 618-667-3454

Data Code	Description	Weight Front	Weight Rear	Retail Price
81Y-005	PRE-TRIP INSPECTION FEATURE FOR EXTERIOR LAMPS ONLY			\$12.00
264-030	(1) OVERHEAD MOUNTED LANYARD CONTROL FOR DRIVER AIR HORN			STD
482-001	BW TRACTOR PROTECTION VALVE			N/C
883-001	TRAILER HAND CONTROL BRAKE VALVE			N/C
842-006	DIGITAL TURBO AIR PRESSURE IN DRIVER DISPLAY			N/C
836-015	DIGITAL VOLTAGE DISPLAY INTEGRAL WITH DRIVER DISPLAY			STD
660-001	SINGLE ELECTRIC WINDSHIELD WIPER MOTOR WITH DELAY AND ARCTIC TYPE BLADES			\$17.00
304-030	ROTARY HEADLAMP SWITCH, MARKER LIGHTS/HEADLIGHTS SWITCH WITH PULL OUT FOR OPTIONAL FOG/ROAD LAMPS			N/C
882-004	TWO VALVE PARKING BRAKE SYSTEM WITH WARNING INDICATOR			N/C
299-020	SELF CANCELING TURN SIGNAL SWITCH WITH DIMMER, HEADLAMP FLASH, WASH/WIPE/INTERMITTENT			STD
298-046	INTEGRAL ELECTRONIC TURN SIGNAL FLASHER WITH 40 AMP (20 AMP PER SIDE) TRAILER LAMP CAPACITY			STD
87G-008	OPTIONAL AIR SWITCH 1 WITH IGN ON & VEHICLE AT STANDSTILL			N/C
87T-998	NO WRG/SW-OPTL #2,CHAS,AIR			STD
Design				
065-000	PAINT: ONE SOLID COLOR			STD
Color				
980-5F6	CAB COLOR A: L0006EY WHITE ELITE EY			STD
986-020	BLACK, HIGH SOLIDS POLYURETHANE CHASSIS PAINT			STD
962-972	POWDER WHITE (N0006EA) FRONT WHEELS/RIMS (PKWHT21, TKWHT21, W, TW)			STD
966-972	POWDER WHITE (N0006EA) REAR WHEELS/RIMS (PKWHT21, TKWHT21, W, TW)			STD
964-020	STANDARD BLACK BUMPER PAINT			STD
963-003	STANDARD E COAT/UNDERCOATING			STD
Certification / Compliance				
996-001	U.S. FMVSS CERTIFICATION, EXCEPT SALES CABS AND GLIDER KITS			STD

Secondary Factory Options



Prepared for:
 Ryan Reed
 MISSOURI DOT
 830 MoDOT Drive
 60524CO0258
 JEFFERSON CITY, MO 65109
 Phone: (573) 751-3685

Prepared by:
 Matt Pace
 TRUCK CENTERS, INC.
 2280 FORMOSA RD.
 TROY, IL 62294
 Phone: 618-667-3454

Data Code	Description	Weight Front	Weight Rear	Retail Price
998-033	CORPORATE PDI CENTER IN-SERVICE AND OPTION INSTALLATION/MODIFICATION			N/C
* 999-062	DEALER/CUSTOMER ADVISED AND ACCEPTS BUMPER SHOULD BE REMOVED PRIOR TO RECOVERING/TOWING THE VEHICLE PER FRACAS:11687			N/C

Sales Programs

NO SALES PROGRAMS HAVE BEEN SELECTED

TOTAL VEHICLE SUMMARY

Adjusted List Price

Adjusted List Price ** \$143,770.00

Weight Summary

	Weight Front	Weight Rear	Total Weight
Factory Weight*	7766 lbs	4703 lbs	12469 lbs
Dealer Installed Options	0 lbs	0 lbs	0 lbs
Total Weight*	7766 lbs	4703 lbs	12469 lbs

ITEMS NOT INCLUDED IN ADJUSTED LIST PRICE

Other Factory Charges

PMV-024	GHG24 SURCHARGE - CUMMINS	\$555.00
RD1-303	3 YRS DAIMLER CONNECTIVITY BASE PKG (VARY BY MODEL) POWERED BY DETRIOT CONNECT	STD
RAC-42N	M2/SD PLUS ESCALATOR	\$750.00
RAG-020	CUMMINS TARIFF CHARGE - \$205	\$205.00
RAU-025	MY25 ESCALATOR	\$1,500.00
RFY-022	FRONT TIRE SURCHARGE	\$60.00
RFU-022	REAR TIRE SURCHARGE	\$120.00
P73-2FT	STANDARD DESTINATION CHARGE	\$3,375.00



Prepared for:
 Ryan Reed
 MISSOURI DOT
 830 MoDOT Drive
 60524CO0258
 JEFFERSON CITY, MO 65109
 Phone: (573) 751-3685

Prepared by:
 Matt Pace
 TRUCK CENTERS, INC.
 2280 FORMOSA RD.
 TROY, IL 62294
 Phone: 618-667-3454

Extended Warranty

WAI-47H	CUM 2017 L9: HD1 MD DTY 5 YEARS / 100,000 MILES / 161,000 KM EXTENDED WARRANTY. FEX APPLIES	\$1,300.00
WAX-101	CUM 2017 L9: AT3 MD DTY 5 YEARS / 100,000 MILES / 161,000 KM AFTERTREATMENT. FEX APPLIES	\$630.00
WAK-252	ALLISON 3500 RDS SERIES TRANSMISSION EXTEND WARRANTY, 5 YEARS/UNLIMITED MILES FEX	\$612.00
WAL-231	AXLE: NON-DETROIT SINGLE REAR ONLY: MD MODERATE 5 YEARS/100,000 MILES/161,000 KM EXTENDED COVERAGE	\$130.00
WAG-078	TOWING: 5 YEARS/UNLIMITED MILES/KM EXTENDED TOWING COVERAGE \$750 CAP FEX APPLIES	\$920.00
	Currency Exchange Rate	1.0000
	Total Extended Warranty (Local Currency)	\$3,592.00

Dealer Installed Options

		Weight Front	Weight Rear	Price
20001	VIKING-CIVES BODY EQUIPMENT. QUOTE # 170167	0	0	\$76,625.00
	Total Dealer Installed Options	0 lbs	0 lbs	\$76,625.00

(+) Weights shown are estimates only.

If weight is critical, contact Customer Application Engineering.

(**) Prices shown do not include taxes, fees, etc... "Net Equipment Selling Price" is located on the Quotation Details Proposal Report.

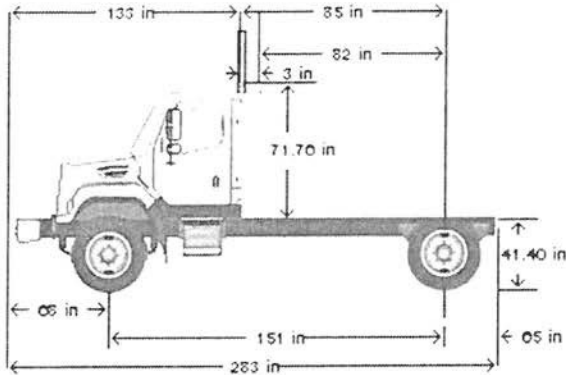
(***) All cost increases for major components (Engines, Transmissions, Axles, Front and Rear Tires) and government mandated requirements, tariffs, and raw material surcharges will be passed through and added to factory invoices.



Prepared for:
 Ryan Reed
 MISSOURI DOT
 830 MoDOT Drive
 60524CO0258
 JEFFERSON CITY, MO 65109
 Phone: (573) 751-3685

Prepared by:
 Matt Pace
 TRUCK CENTERS, INC.
 2280 FORMOSA RD.
 TROY, IL 62294
 Phone: 618-667-3454

DIMENSIONS



VEHICLE SPECIFICATIONS SUMMARY - DIMENSIONS

Wheelbase (545)	3825MM (151 INCH) WHEELBASE
Rear Frame Overhang (552)	1650MM (65 INCH) REAR FRAME OVERHANG
Fifth Wheel (578)	NO FIFTH WHEEL
Mounting Location (577)	NO FIFTH WHEEL LOCATION
Maximum Forward Position (in)	0
Maximum Rearward Position (in)	0
Amount of Slide Travel (in)	0
Slide Increment (in)	0
Desired Slide Position (in)	0
Cab Size (829)	108 INCH BBC FLAT ROOF ALUMINUM CONVENTIONAL CAB
Sleeper (682)	NO SLEEPER BOX/SLEEPER CAB
Exhaust System (016)	RH OUTBOARD UNDER STEP MOUNTED HORIZONTAL AFTERTREATMENT SYSTEM ASSEMBLY WITH RH B-PILLAR MOUNTED VERTICAL TAILPIPE

TABLE SUMMARY - DIMENSIONS



Prepared for:
 Ryan Reed
 MISSOURI DOT
 830 MoDOT Drive
 60524CO0258
 JEFFERSON CITY, MO 65109
 Phone: (573) 751-3685

Prepared by:
 Matt Pace
 TRUCK CENTERS, INC.
 2280 FORMOSA RD.
 TROY, IL 62294
 Phone: 618-667-3454

Dimensions	Inches
Bumper to Back of Cab (BBC)	133.3
Bumper to Centerline of Front Axle (BA)	67.7
Front Axle to Back of Cab (AC)	65.6
Min. Cab to Body Clearance (CB)	3.0
Back of Cab to Centerline of Rear Axle(s) (CA)	85.0
Effective Back of Cab to Centerline of Rear Axle(s) (Effective CA)	82.0
Back of Cab Protrusions (Exhaust/Intake) (CP)	2.0
Back of Cab Protrusions (Side Extenders/Trim Tab) (CP)	0.0
Back of Cab Protrusions (CNG Tank)	0.0
Back of Cab Clearance (CL)	3.0
Back of Cab to End of Frame	150.0
Cab Height (CH)	71.8
Wheelbase (WB)	150.6
Frame Overhang (OH)	65.0
Overall Frame Length	280.7
Overall Length (OAL)	283.3
Rear Axle Spacing	0.0
Unladen Frame Height at Centerline of Rear Axle	41.4

Performance calculations are estimates only. If performance calculations are critical, please contact Customer Application Engineering.



I hereby certify under section 50.660 RSMo there is either: (1) a balance of funds, otherwise unencumbered, to the credit of the appropriation to which the obligation contained herein is chargeable, and a cash balance otherwise unencumbered, in the treasury, to the credit of the funds from which payment is to be made, each sufficient to meet the obligation contained herein; or (2) bonds or taxes have been authorized by vote of the people and there is sufficient unencumbered amount of the bonds yet to be sold or of the taxes levied and yet to be collected to meet the obligation in case there is not a sufficient unencumbered cash balance in the treasury.



County Auditor