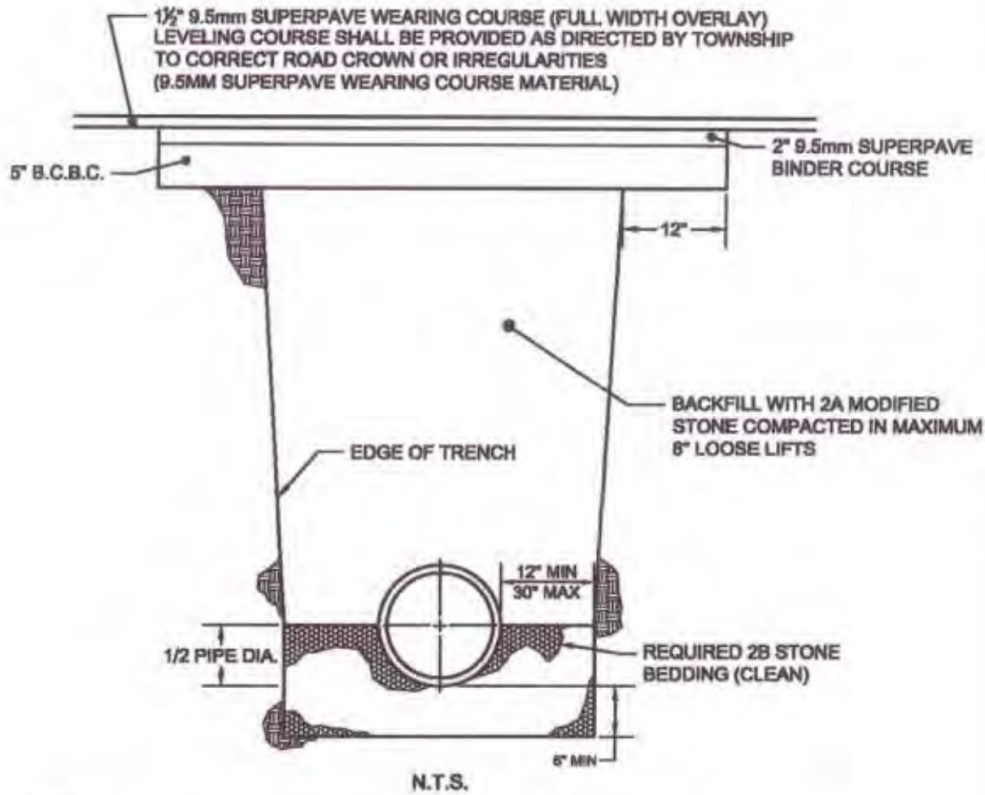


WATER

26 Attachment 12

Township of Plumstead

APPENDIX L STORM SEWER BEDDING/BACKFILL REQUIREMENTS

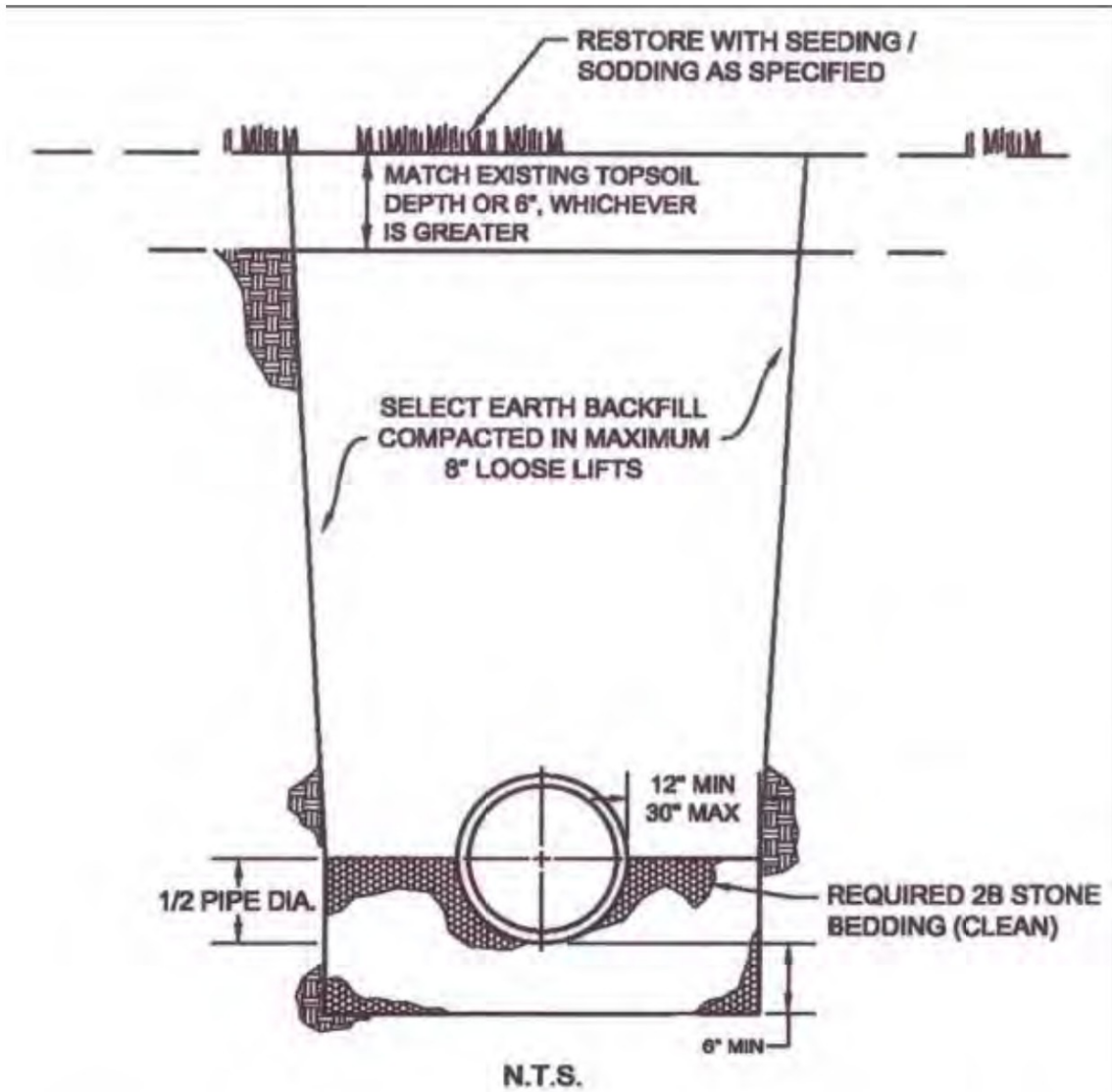


NOTES:

1. Developer/Contractor shall be responsible for proper implementation of safety requirements in conformance to all Federal and State Department of Labor and Occupational Safety and Hazard Administrative Regulations.
2. Backfill for new road construction may be select earth backfill when suitable material is available as determined by the Township.
3. Full depth 2A stone backfill shall be required for all storm sewer, sanitary sewer and utility trenching when edge of trench is within 15 feet of existing roadway edge of paving; and for all trenching within area of roadway widening.
4. Roadway crown shall be 3/8 inch per foot.
5. 3 inch temporary patch of BCBC shall be provided and maintained for less than 30 days prior to final restoration of existing roadway or driveway. Temporary patch shall be removed with final restoration performed no more than 90 days from date of sewer installation providing testing has been satisfactorily accomplished and no settlement has occurred.
6. All work and materials shall conform to PennDot Publication 408, latest edition.

STORM SEWER BEDDING DETAIL

(WITHIN RIGHT-OF-WAY, BENEATH ALL EXISTING ROADWAYS AND DRIVEWAYS, PUBLIC OR PRIVATE)



STORM SEWER BEDDING DETAIL
(EARTHEN AREA)