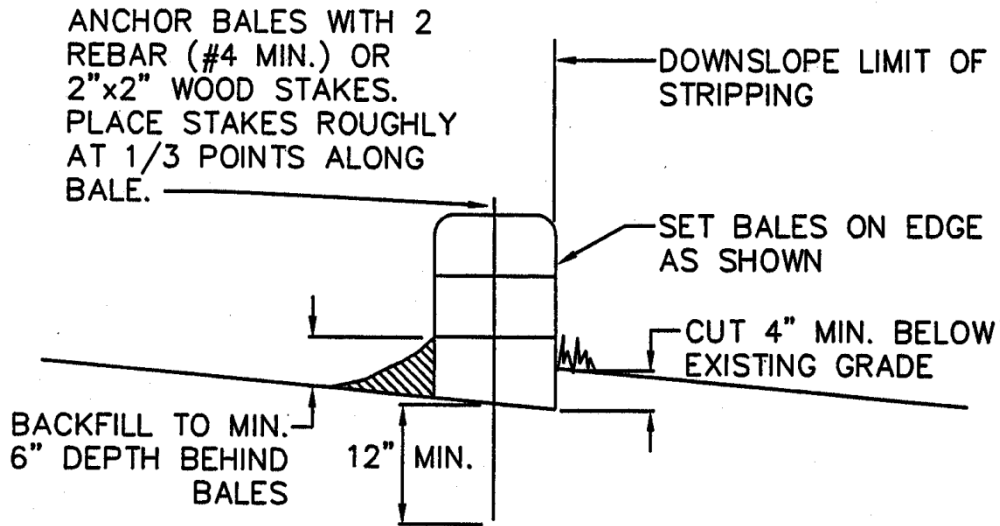


SUBDIVISION REGULATIONS

410 Attachment 8

DRAWING 50

STRAW BALE DIKE



NOTES:

1. BALES SHALL BE PLACED IN A ROW WITH ENDS TIGHTLY ABUTTING THE ADJACENT BALES.
2. EACH BALE SHALL BE EMBEDDED IN THE SOIL A MINIMUM OF FOUR (4) INCHES WHERE POSSIBLE.
3. BALES SHALL BE SECURELY ANCHORED IN PLACE BY STAKES OR REBARS DRIVEN THROUGH THE BALES. THE FIRST STAKE IN EACH BALE SHALL BE ANGLED TOWARD PREVIOUSLY LAID BALE TO FORCE BALES TOGETHER.
4. INSPECTION SHALL BE FREQUENT AND REPAIR OR REPLACEMENT SHALL BE MADE PROMPTLY AS NEEDED BY CONTRACTOR.
5. BALES SHALL BE REMOVED WHEN THEY HAVE SERVED THEIR USEFULNESS SO AS NOT TO BLOCK OR IMPEDE STORM FLOW OR DRAINAGE.
6. ACCUMULATED SILT SHALL BE REMOVED WHEN IT REACHES A DEPTH OF SIX (6) INCHES.
7. AT EACH END OF DIKE, TURN DIKE UPSLOPE AND EXTEND UNTIL GROUND SURFACE RISES EIGHTEEN (18) INCHES.

REFERENCE: ADAPTED FROM CITY OF AUSTIN AND CITY OF TULSA EROSION AND SEDIMENTATION CONTROL MANUALS.