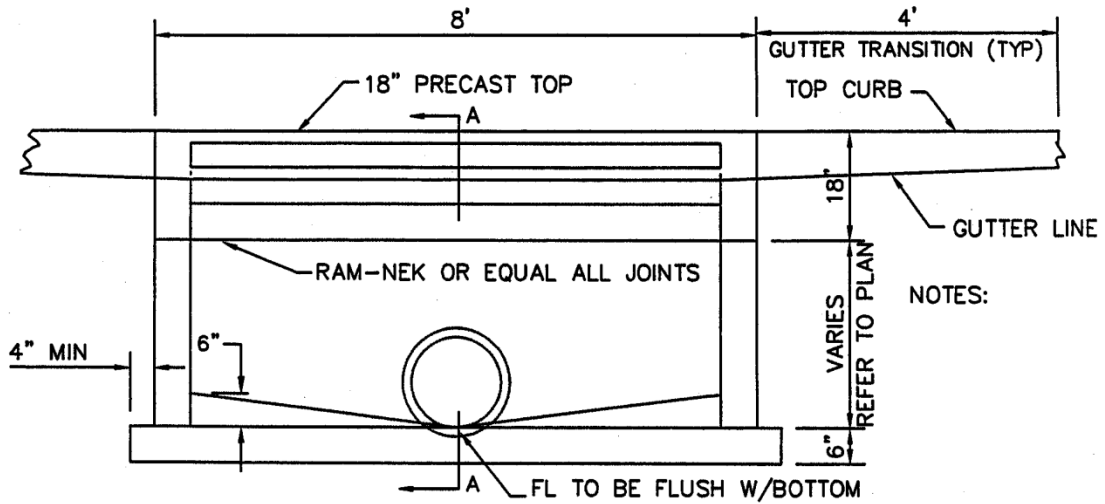


SUBDIVISION REGULATIONS

410 Attachment 17

DRAWING 140

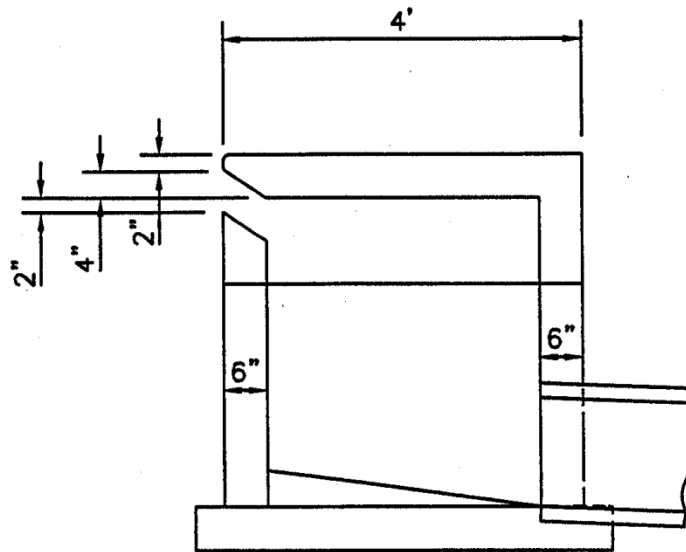
CURB INLET DETAIL



NOTES:

FRONT ELEVATION

1. Bottom shall be case in place.
2. Type C Ring and cover shall be provided.
3. #4 bars @ 10" ea. way in walls and slab.



SECTION A-A