

# ULTIMATE MULTI-SLIDE DOOR

*Previously known as Marvin Ultimate Multi-Slide Door*



The Marvin Signature™ Ultimate Multi-Slide Door is more than just a panoramic door, it's a gateway to indoor-outdoor living with performance that stands up to any weather, coast to coast. Design your ideal view, with sliding panels available in configurations that move in one direction or part in the center, and panels that stack in full view within the frame or conceal within a wall pocket. When accessibility is important, choose an optional low-profile sill that maintains a smooth, flush transition from indoors to out. In sizes as big as 56 feet wide or small enough to create a counter-height, kitchen pass-through option for a patio or deck, this door opens possibilities.



**Unit Features**

- Stacked Configurations: All panels are contained within the frame. At least one panel is stationary with bi-parting doors having two stationary panels. When open, operating panels stack over the stationary panels. (available with Corner Door)
- Pocket Configurations: All panels operate with at least one pocket. Bi-parting doors will have two pockets. When opened, all panels are concealed within the pocket. (available with Corner Door)
- All Door units are shipped knocked-down (KD).

**Frame:**

- Frame is 1 31/32" (50) thick.
- Frame consists of jamb (s), head jamb, and sill tracks.
- Standard is treated non finger-jointed bare pine to the interior and clad extruded aluminum to the exterior. Frame core is Ultrex with extruded Aluminum connectors.
- Alternative wood species include Mahogany, Mixed Grain Douglas Fir (Frame Only), Vertical Grain Douglas Fir (Frame and Panel), Cherry and White Oak.

**Sill:**

- Three sill options are available: Standard Flush Sill, Performance, High Performance (not available on Corner Doors). All sill types require a pan to be installed on site and must equal the height of the interior sill liner.
- Sill material is glass filled polyurethane and is available in Bronze or Beige. Aluminum sill liners and track covers are color matched to sill.
- Standard Flush Sill is designed to be installed onto any floor foundation; has interlocking tracks to ensure parallelism for multiple tracks. Nominal sill height is 3/4" (19) and nominal width is 3 1/64" (77) for each sill track.
- High Performance Sill uses the Flush Sill with an exterior liner and sloped shim system. The sill has a nominal height of 2 7/16" (62) and a nominal width of 3 1/64" (77) for each sill track. A wood sloped wedge with counter shims will be provided to allow for water drainage.
- Performance Sill uses the Flush Sill with an interior liner. The sill has a nominal height of 1 13/16" (46) and nominal width is 3 1/64" (77) for each sill track.
- Sills included an exterior weep for water, weeps must remain clear and free of obstruction.

**Panel:**

- 2 1/4" (57) thick-nominal with doweled fastened corners.
- Stiles and Rails are 4 3/4" (121).
- Stiles are LVL (laminated veneer lumber) core with non finger-jointed, bare pine veneer on interior. Preservative treated.
- Rails are finger-jointed/edge glued core with non finger-jointed, bare pine veneer on interior. Preservative treated.
- Wood glazing cap is applied to interior with vinyl glazing bead. Standard profile is Ogee with option of Square.

**Hardware:**

- Each operating panel has a set of stainless steel tandem rollers. Each roller is a tandem configuration that equal four rollers per panel that support the weight of the operating panels during motion.
- Maximum panel weight is 600 pounds with a set of tandem rollers.
- Handle set:
  - Interior Active recessed, mounted handle: Intuitive thumb latch that engage/disengage the multi-point locks of the panel. Also provides a recess finger pull area on the active panel, all handles are non-handed. Default finish is Oil Rubbed Bronze PVD, optional Satin Nickel PVD and Matte Black.
  - Interior Inactive flush mounted handle: Provides a recessed finger pull area on the inactive panel. It differs only from the active handle in that it doesn't have a slide lock actuator.
  - Exterior, recessed pull, non-keyed: Provides a recess to push/pull the primary active and inactive panels to the open or closed position. Handles are non-handed and are not keyed for exterior locking. Keyed lock is not available. Default is Bronze PVD, optional Satin Nickel PVD and Matte Black.
- Manual Flush Bolt: For bi-parting and Corner Doors only, a brass substrate with brushed chrome finish on trim cover flush bolt. That is at the top edge of the inactive panel, only accessible when the primary panel is open. The flush bolt secures into a strike mounted in the head jamb.
- Panel Edge Pull is a pivotal finger pull that provides a means to pull the panels from the pocket. Applied to the meeting stile edge of the active and inactive panel(s). Available on pocket units only.
- Panel Bumpers: Provides a method of opening multiple operating panels from the active panels. Bumpers are a steel substrate with bronze painted finish and black rubber bumpers.

**Weather Strip:**

- Color is bronze/black or beige, color will follow the sill color. All units are constructed with vinyl weather strip at the panel perimeter and interlocks. Weather Strip exposed to the exterior is UV resistant material.

**Unit Features Continued****Glass and Glazing:**

- Glazing method: Insulating - Dual Pane or Tri Pane
- Glazing seal: Silicone glazed
- Standard glass: Insulating Dual Pane Low E2 with Argon or Air
- Optional dual-pane glass make-ups:
  - Low E1 Argon or Air,
  - Low E3 Argon or Air,
  - Low E2/ERS Argon or air,
  - Low E3/ERS Argon or air, clear, tints, tempered, obscure, and decorative glass options
- Optional Tri Pane glass make-ups:
  - Low E2/E1 Argon, Krypton-Argon, or Air
  - Low E3/E1 Argon, Krypton-Argon, or Air
  - Low E1 Argon, Krypton-Argon, or Air
- Available glass types:
  - Laminated
  - Tempered
  - Obscure
- Tints:
  - Bronze
  - Gray
  - Green
  - Reflective Bronze
- Decorative glass options:
  - Frost
  - Reed
  - Narrow Reed
  - Rain
  - Sandblasted
  - Glue Chip
- All glass is of select quality complying with ASTM C 1036. Tempered or Laminated safety glazing per CPSC 16 CFR 1201. Insulating glass is manufactured and tested to pass level ASTM 2190 and is IGCC certified.
- IZ3 has tempered exterior pane
- For additional specialty glazing options, please contact your Marvin representative.

**CE Optional Glazing:**

- Glazing method: Tempered Insulating
- Glazing seal: Silicone glazed exterior
- Standard glass is insulating Low E2 Argon or air
- Optional dual glazing available: Low E1 Argon or air, Low E3 Argon or air, Low E2/ERS argon or air, Low E3/ERS Argon or air, clear, laminated clear and tints, tempered, sandblasted
- Optional Tripane glass types: Low E1/E1 Argon or Krypton-Argon, Low E2/E2 Argon or Krypton-Argon, Low E3/E1 Argon or Krypton-Argon
- Glass panes available in 3, 4, and 6 mm thicknesses
- Laminated panes available in 7.0 and 7.8 mm thicknesses
- Laminated tints available in clear, white, bronze, gray and green
- Glazing will be altitude adjusted for higher elevations, Argon, Argon-Krypton, and Krypton gas not included

**Lock Status Sensor (Optional):**

- Refer to **Lock Status Sensor Installation Instructions** for requirements.
- To achieve a closed and locked status, the Lock Status Sensor requires that the door must be closed to depress the anti-slam mechanism so that the door can be manually locked. It allows easy integration with home automation systems using a wireless connection.
  - Requires purchase of secondary transmitter for operation. Marvin will prep for this option. Wired connection not available.
- Wireless Lock Status Sensor is located within the operating panel.
- Sensor Location will always be routed into the door stile, under the lock bar.

**Unit Features Continued****Sliding Door Automatic Control:**

- Sliding Door Automatic Control provides motorized panel operation on Marvin's Ultimate MultiSlide Door. Refer to [Site Prep Guide](#) for requirements.
- Interior Wall Switch may be wired or wireless. For wired switch, check with local codes on potential contractor requirements for low voltage networking connections. Wireless wall switch can be placed anywhere within 100' of controller. Wireless wall switch requires replacement of lithium ion 123 batteries.
  - Wall Switch Colors:
    - Standard: Wireless - Black, Ivory, Light Almond, and White (Not Marvin Colors)
    - Option: Wired - Black, Ivory, Light Almond, and White (Not Marvin Colors)
  - Wireless Motion Sensor is located above the door (no higher than 14' from the flooring), centered over the primary panel on a unidirectional door or centered over the meeting stiles on a bi-parting door.
  - Standard: Wireless - Black or White (Not Marvin Colors)
  - Secure Exterior Wall Switch allows numeric keypad access from exterior. Exterior wall switch is available in:
    - Standard: None
    - Options: White Exterior Secure Keypad
- Motor Location
  - Uni-directional Units - Locking Jamb side
  - Bi-parting Units - Left or Right Hand (from exterior)
- Home Automation Adapter allows easy integration with home automation systems through a wired Ethernet connection between controllers.
- Sliding Door Automatic Control not available on Corner Doors.

**Abbreviations**

- Ultimate MultiSlide Door - UMSD
- Ultimate MultiSlide Stacked Door - UMSD STK
- Ultimate MultiSlide Pocket Door - UMSD PKT
- Ultimate MultiSlide Stacked Corner Door - UMSD STK CNR
- Ultimate MultiSlide Pocket Corner Door - UMSD PKT CNR

**Operations**

- Door handing is viewed from exterior.

P = Pocket

X = Operating

O = Stationary

L = Left handed bi-parting unit

R = Right handed bi-parting unit

**Examples of operating descriptions:**

- 4 panels, moving left into a pocket.
  - PXXXX UMSD PKT
- 3 panels, two of which move to left for stacking.
  - OXX UMSD STK
- 6 panels, three moving in each direction into a pocket. The primary panel on the right group of three panels.
  - PXXX-XXXP R UMSD PKT
- 8 panels, with three moving in each direction for stacking. The primary panel is in the left group of four panels.
  - OXXX-XXXO L UMSD STK
- 3 panels on one side stacked, corner, 4 panels on the other side pocket.
  - OXX-C-XXXXP

## Unit Features Continued

### Configurations:

- Maximum of 3 panels in center stacked units.
- Maximum of 6 panels in uni-directional.
- Maximum of 10 panels for bi-parting and Corner doors.
  - Can mix pocket and stacked configurations on either side of the corner with one exception. Single track pocket units can only be attached to another single track pocket, eg PX-C-XP.
- Break away and operating forces will vary with panel size and panel quantities within a unit.

*NOTE: Additional panels are available through special order, but limited by safety, production and shipping capabilities.*

### Uni-Directional Stacked:

- 2 panel door unit OX / XO
- 3 panel door unit OXX / XXO; XOX
- 4 panel door unit OXXX / XXXO
- 5 panel door unit OXXXX / XXXXO
- 6 panel door unit OXXXXX / XXXXXO
- 2-5 panel configurations available per elevation for Corner Doors

### Bi-Parting Stacked:

- 4 panel door unit OX-XO L or R
- 6 panel door unit OXX-XXO L or R
- 8 panel door unit OXXX-XXXO L or R
- 10 panel door unit OXXXX-XXXXO L or R

### Uni-Directional Pocket:

- 1 panel door unit PX / XP\*
- 2 panel door unit PXX / XXP
- 3 panel door unit PXXX / XXXP
- 4 panel door unit PXXXX / XXXXP
- 5 panel door unit PXXXXX / XXXXXP
- 6 panel door unit PXXXXXX / XXXXXXP
- 2-5 panel configurations available per elevation for Corner doors

### Bi-Parting Pocket:

- 2 panel door unit PX-XP L or R\*
- 4 panel door unit PXX-XXP L or R
- 6 panel door unit PXXX-XXXP L or R
- 8 panel door unit PXXXX-XXXXP L or R
- 10 panel door unit PXXXXX-XXXXXP L or R

\* This configuration is not available with the Performance Sill due to the inability to install the panel from the interior.

*NOTE: PX-C-XP is the only corner door configuration with a single panel option.*

### Interior Screen:

- Scenic Door Ultimate Sliding Screen
  - Screen Frame color:
    - Standard: White, Bronze, Black, and Clear Anodized.
    - Options: Screen sill will default to the screen color, but screen sills can be any of the three colors.
  - Handle Pull colors: Black and White
- Screen mesh: Charcoal, Vinyl-coated polyester
- Uni-Directional Screen:
  - Open from left to right or right to left
  - Maximum Screen Frame OM Width is 152 17/64" (3868)
  - Not available on bi-parting door
- Bi-Parting Screen:
  - Two screens open from each side and meet together
  - Maximum Screen Frame OM Width is 296 17/64" (7525). Maximum Screen OM Height for all configurations is 125 5/32" (3179)
  - Not available on Corner Doors.

Uni-Directional and Bi-Parting Stacked Standard Unit Measurements

Ultimate MultiSlide Door - Stacked Unit Measurements																	
Width																	
Unit Type	CN	Masonry Opening		Rough Opening		Frame Size		Panel OM		Stationary Panel OM		Daylight Opening		Glass Size		Screen OM	
		ft - in	mm	ft - in	mm	ft - in	mm	ft-in	mm	ft-in	mm	ft - in	mm	ft-in	mm	ft - in	mm
XO or OX	6-0	5-7 3/4	(1721)	5-8 1/4	(1733)	5-7 1/4	(1708)	2-11 1/16	(891)	NA	2-1 19/32	(650)	2-2 29/32	(683)	5-11 9/16	(1818)	
	8-0	7-7 3/4	(2330)	7-8 1/4	(2343)	7-7 1/4	(2318)	3-11 1/16	(1195)	NA	3-1 19/32	(955)	3-2 29/32	(988)	7-11 9/16	(2427)	
	10-0	9-7 3/4	(2940)	9-8 1/4	(2953)	9-7 1/4	(2927)	4-11 1/16	(1500)	NA	4-1 19/32	(1260)	4-2 29/32	(1293)	9-11 9/16	(3037)	
	12-0	11-7 3/4	(3549)	11-8 1/4	(3562)	11-7 1/4	(3537)	5-11 1/16	(1805)	NA	5-1 19/32	(1565)	5-2 29/32	(1598)	11-11 9/16	(3647)	
XXO or OXX	9-0	8-2 5/64	(2491)	8-2 37/64	(2504)	8-1 37/64	(2478)	2-11 1/16	(891)	NA	2-1 19/32	(650)	2-2 29/32	(683)	8-5 29/32	(2588)	
	12-0	11-2 5/64	(3405)	11-2 37/64	(3418)	11-1 37/64	(3393)	3-11 1/16	(1195)	NA	3-1 19/32	(955)	3-2 29/32	(988)	11-5 29/32	(3503)	
	15-0	14-2 5/64	(4320)	14-2 37/64	(4333)	14-1 37/64	(4307)	4-11 1/16	(1500)	NA	4-1 19/32	(1260)	4-2 29/32	(1293)	14-5 29/32	(4417)	
	18-0	17-2 5/64	(5234)	17-2 37/64	(5247)	17-1 37/64	(5222)	5-11 1/16	(1805)	NA	5-1 19/32	(1565)	5-2 29/32	(1598)	17-5 29/32	(5331)	
XXXO or OXXX	12-0	10-8 13/32	(3261)	10-8 29/32	(3274)	10-7 29/32	(3249)	2-11 1/16	(891)	NA	2-1 19/32	(650)	2-2 29/32	(683)	11-0 7/32	(3359)	
	16-0	14-8 13/32	(4481)	14-8 29/32	(4493)	14-7 29/32	(4468)	3-11 1/16	(1195)	NA	3-1 19/32	(955)	3-2 29/32	(988)	15-0 7/32	(4578)	
	20-0	18-8 13/32	(5700)	18-8 29/32	(5712)	18-7 29/32	(5687)	4-11 1/16	(1500)	NA	4-1 19/32	(1260)	4-2 29/32	(1293)	19-0 7/32	(5797)	
	24-0	22-8 13/32	(6919)	22-8 29/32	(6932)	22-7 29/32	(6906)	5-11 1/16	(1805)	NA	5-1 19/32	(1565)	5-2 29/32	(1598)	23-0 7/32	(7016)	
XXXXO or OXXXX	15-0	13-2 47/64	(4032)	13-3 15/64	(4044)	13-2 15/64	(4019)	2-11 1/16	(891)	NA	2-1 19/32	(650)	2-2 29/32	(683)	13-6 9/16	(4129)	
	20-0	18-2 47/64	(5556)	18-3 15/64	(5568)	18-2 15/64	(5543)	3-11 1/16	(1195)	NA	3-1 19/32	(955)	3-2 29/32	(988)	18-6 9/16	(5653)	
	25-0	23-2 47/64	(7080)	23-3 15/64	(7092)	23-2 15/64	(7067)	4-11 1/16	(1500)	NA	4-1 19/32	(1260)	4-2 29/32	(1293)	23-6 9/16	(7177)	
	30-0	28-2 47/64	(8604)	28-3 15/64	(8616)	28-2 15/64	(8591)	5-11 1/16	(1805)	NA	5-1 19/32	(1565)	5-2 29/32	(1598)	NA		
XXXXXO or OXXXXX	18-0	15-9 1/16	(4802)	15-9 9/16	(4815)	15-8 9/16	(4789)	2-11 1/16	(891)	NA	2-1 19/32	(650)	2-2 29/32	(683)	16-0 7/8	(4899)	
	24-0	21-9 1/16	(6631)	21-9 9/16	(6644)	21-8 9/16	(6618)	3-11 1/16	(1195)	NA	3-1 19/32	(955)	3-2 29/32	(988)	22-0 7/8	(6728)	
	30-0	27-9 1/16	(8460)	27-9 9/16	(8472)	27-8 9/16	(8447)	4-11 1/16	(1500)	NA	4-1 19/32	(1260)	4-2 29/32	(1293)	NA		
	36-0	33-9 1/16	(10288)	33-9 9/16	(10301)	33-8 9/16	(10276)	5-11 1/16	(1805)	NA	5-1 19/32	(1565)	5-2 29/32	(1598)	NA		
OX-XO	12-0	11-1 17/64	(3385)	11-1 49/64	(3397)	11-0 49/64	(3372)	2-11 1/16	(891)	NA	2-1 19/32	(650)	2-2 29/32	(683)	11-5 3/32	(3482)	
	16-0	15-1 17/64	(4604)	15-1 49/64	(4617)	15-0 49/64	(4591)	3-11 1/16	(1195)	NA	3-1 19/32	(955)	3-2 29/32	(988)	15-5 3/32	(4701)	
	20-0	19-1 17/64	(5823)	19-1 49/64	(5836)	19-0 49/64	(5810)	4-11 1/16	(1500)	NA	4-1 19/32	(1260)	4-2 29/32	(1293)	19-5 3/32	(5920)	
	24-0	23-1 17/64	(7042)	23-1 49/64	(7055)	23-0 49/64	(7030)	5-11 1/16	(1805)	NA	5-1 19/32	(1565)	5-2 29/32	(1598)	23-5 3/32	(7140)	
OXX-XXO	18-0	16-1 59/64	(4925)	16-2 27/64	(4938)	16-1 27/64	(4913)	2-11 1/16	(891)	NA	2-1 19/32	(650)	2-2 29/32	(683)	16-5 3/4	(5023)	
	24-0	22-1 59/64	(6754)	22-2 27/64	(6767)	22-1 27/64	(6742)	3-11 1/16	(1195)	NA	3-1 19/32	(955)	3-2 29/32	(988)	22-5 3/4	(6851)	
	30-0	28-1 59/64	(8583)	28-2 27/64	(8596)	28-1 27/64	(8570)	4-11 1/16	(1500)	NA	4-1 19/32	(1260)	4-2 29/32	(1293)	NA		
	36-0	34-1 59/64	(10412)	34-2 27/64	(10425)	34-1 27/64	(10399)	5-11 1/16	(1805)	NA	5-1 19/32	(1565)	5-2 29/32	(1598)	NA		
OXXX-XXXO	24-0	21-2 37/64	(6466)	21-3 5/64	(6479)	21-2 5/64	(6453)	2-11 1/16	(891)	NA	2-1 19/32	(650)	2-2 29/32	(683)	21-6 13/32	(6563)	
	32-0	29-2 37/64	(8905)	29-3 5/64	(8917)	29-2 5/64	(8892)	3-11 1/16	(1195)	NA	3-1 19/32	(955)	3-2 29/32	(988)	NA		
	40-0	37-2 37/64	(11343)	37-3 5/64	(11356)	37-2 5/64	(11330)	4-11 1/16	(1500)	NA	4-1 19/32	(1260)	4-2 29/32	(1293)	NA		
	48-0	45-2 37/64	(13781)	45-3 5/64	(13794)	45-2 5/64	(13769)	5-11 1/16	(1805)	NA	5-1 19/32	(1565)	5-2 29/32	(1598)	NA		
OXXXX-XXXXO	30-0	26-3 15/64	(8007)	26-3 47/64	(8020)	26-2 47/64	(7994)	2-11 1/16	(891)	NA	2-1 19/32	(650)	2-2 29/32	(683)	NA		
	40-0	36-3 15/64	(11055)	36-3 47/64	(11068)	36-2 47/64	(11042)	3-11 1/16	(1195)	NA	3-1 19/32	(955)	3-2 29/32	(988)	NA		
	50-0	46-3 15/64	(14103)	46-3 47/64	(14116)	46-2 47/64	(14090)	4-11 1/16	(1500)	NA	4-1 19/32	(1260)	4-2 29/32	(1293)	NA		
	60-0	56-3 15/64	(17151)	56-3 47/64	(17164)	56-2 47/64	(17138)	5-11 1/16	(1805)	NA	5-1 19/32	(1565)	5-2 29/32	(1598)	NA		
XOX	12-0	11-1 11/32	(3387)	11-1 27/32	(3400)	11-0 27/32	(3374)	2-11 1/16	(891)	5-10 21/64	(1786)	2-1 19/32	(650)	2-2 29/32	(683)	11-5 5/32	(3484)
	16-0	15-1 11/32	(4606)	15-1 27/32	(4619)	15-0 27/32	(4593)	3-11 1/16	(1195)	7-10 21/64	(2396)	3-1 19/32	(955)	3-2 29/32	(988)	15-5 5/32	(4703)
	7-0																
	15-0	14-10 43/64	(4538)	14-11 11/64	(4551)	14-10 11/64	(4525)	3-11 1/16	(1195)	7-7 21/32	(2328)	3-1 19/32	(955)	3-2 29/32	(988)	15-2 1/2	(4635)

NOTE: For Corner Doors, contact your Marvin dealer to determine accurate field calculations.

**Sill Details: Flush - Stacked and Pocket Units**

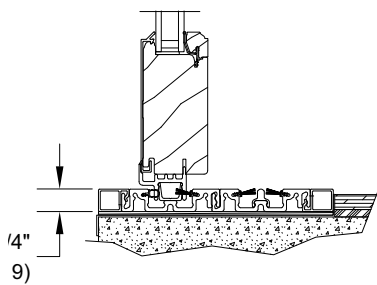
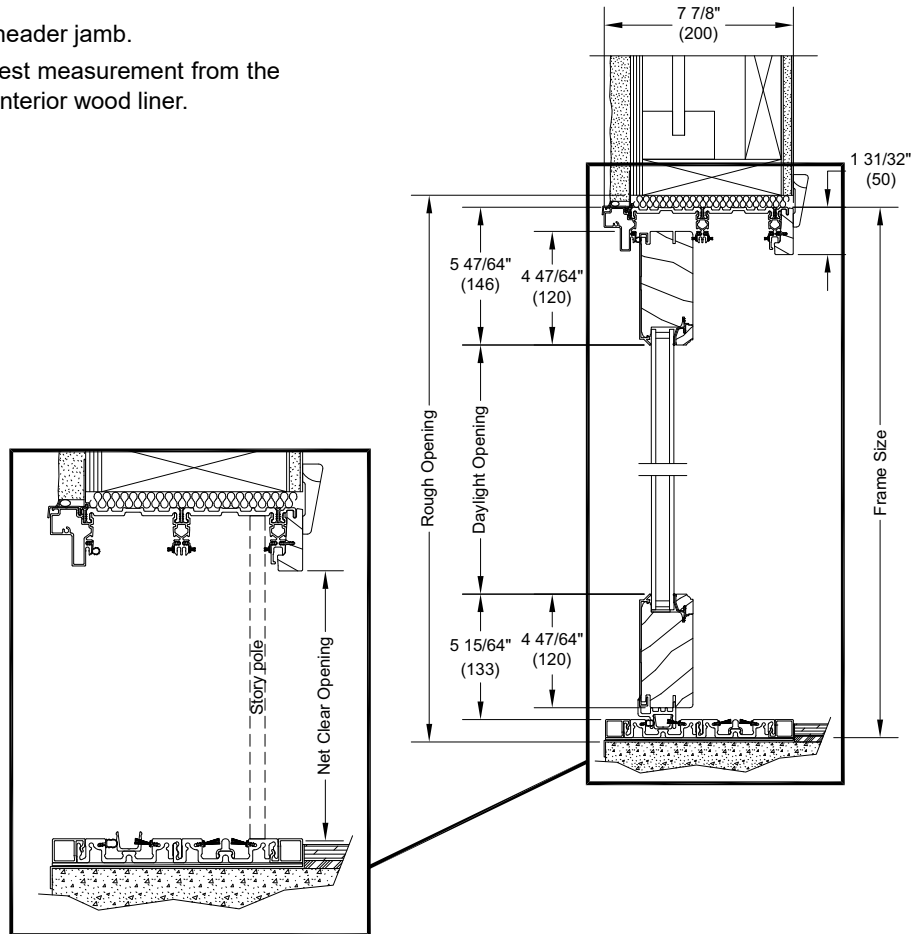
Scale: Not to Scale

**Description of Measurements Used:**

**Rough Opening Height:** Bottom of sill to 1/2" (13) above the header jamb height.

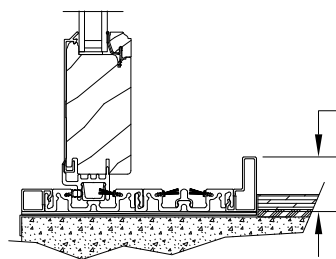
**Frame Height:** Bottom of sill to top of header jamb.

**Net Clear Opening Height:** The shortest measurement from the top of sill/sill liner to bottom surface of interior wood liner.



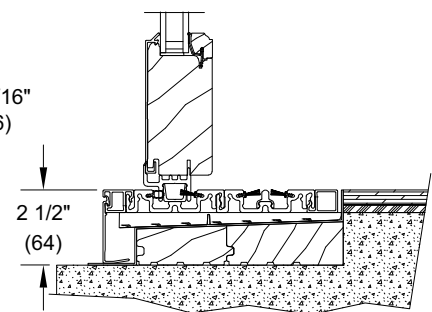
Flush Sill

3/4", Non-Certified



Performance Sill

3/4" with 1 13/16" Interior Liner

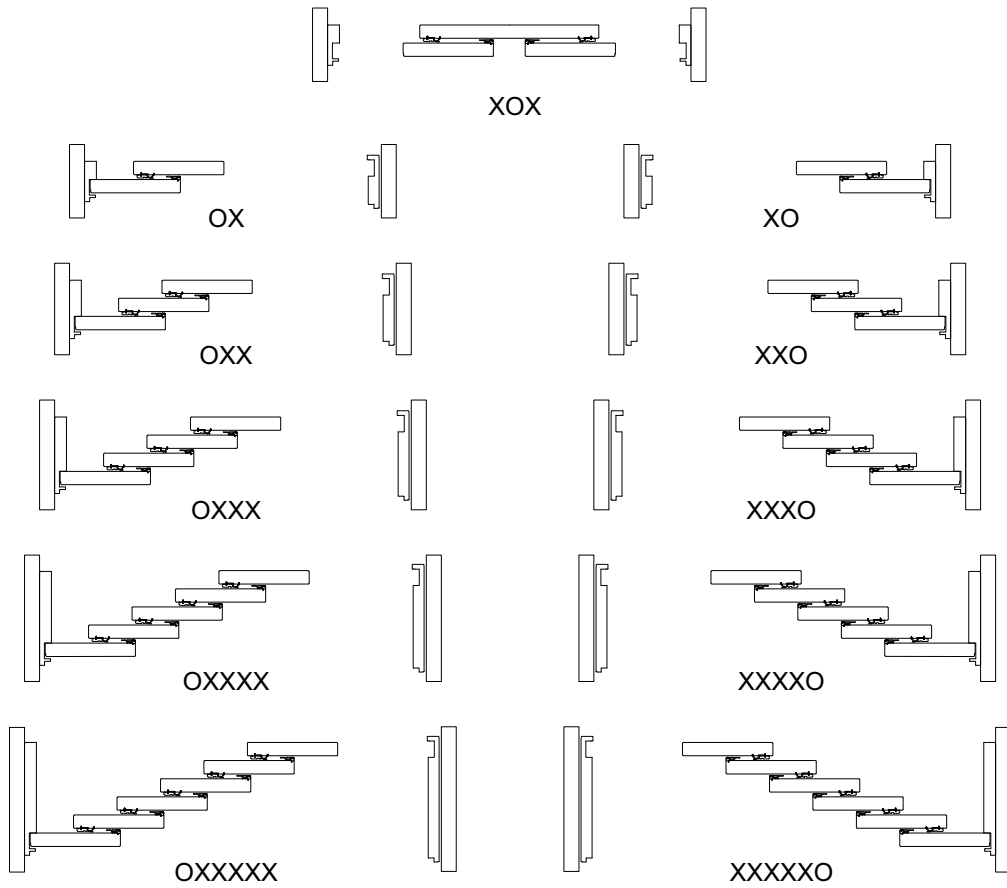


High Performance Sill

*NOTE: Square sticking is the default for product with a short bottom rail.*

**Operating Configurations: Uni-Directional Stacked**

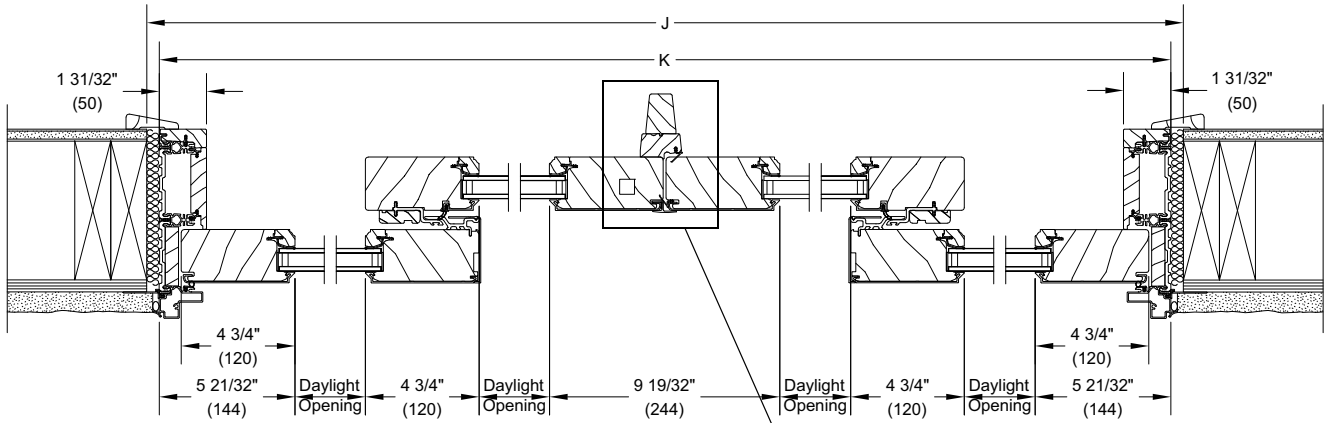
Scale: Not to Scale



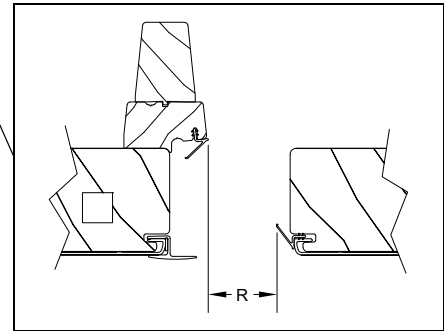


**Section Details: Bi-Parting and Uni-Directional Stacked**

Scale: Not to Scale



**UMSD STK  
Bi-Parting OX-XO**



**Description of Measurements Used:**

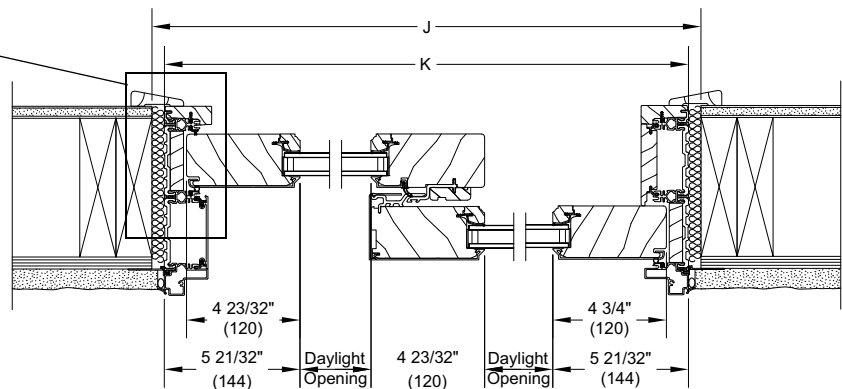
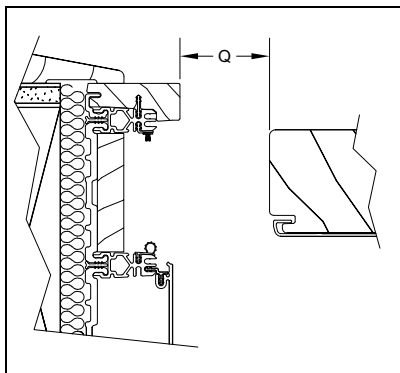
**RO Width:** 1" (25) wider than OM of frame.

**Frame OSM Width:** OM of jamb to OM of jamb.

**Bi-Parting Net Clear Opening Width:** The shortest measurement from the surface of the panel edge to the surface of the astragal.

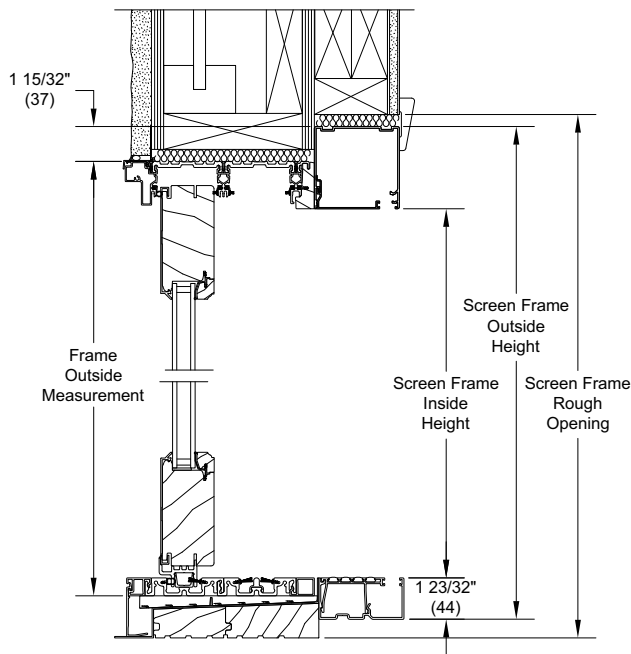
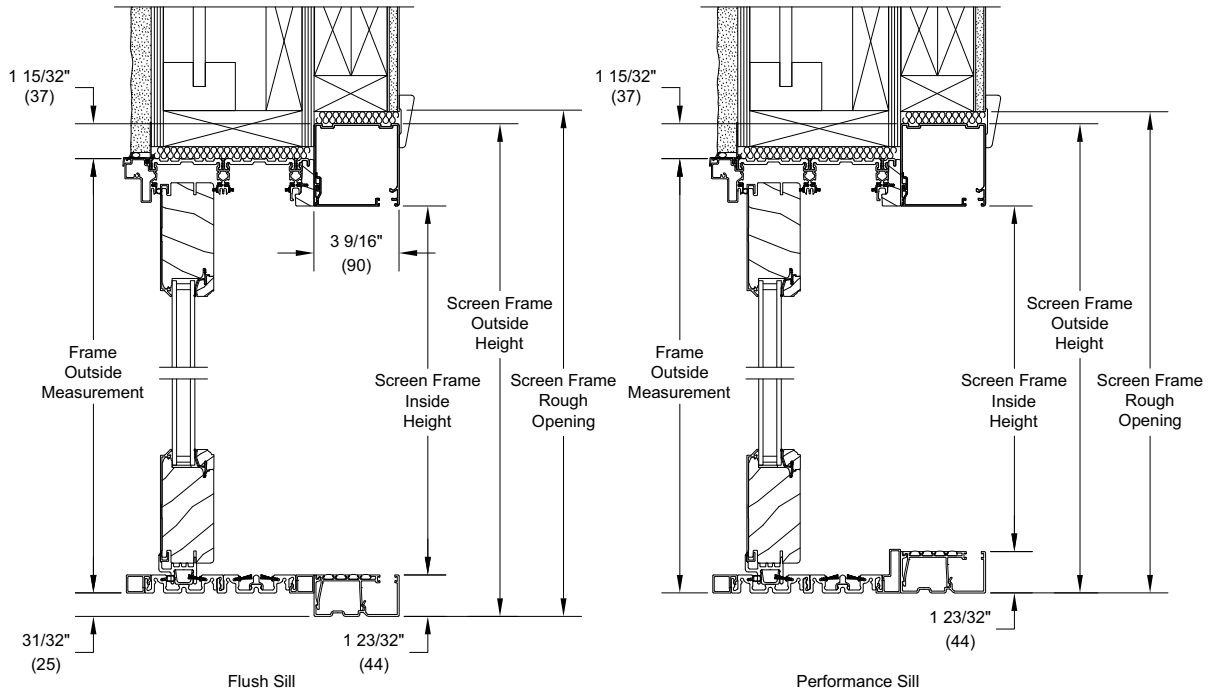
**Uni-Directional-Net Clear Opening Width:** The shortest measurement from the surface of the wood interior liner to the surface of the panel edge.

**UMSD STK  
Uni-Directional XO**



**Sill Details - Stacked and Pocket Units with Screen**

Scale: Not to Scale



**High Performance Sill**

**Description of Measurements Used:**

**Frame Outside Measurement:** Bottom of sill to top of the door

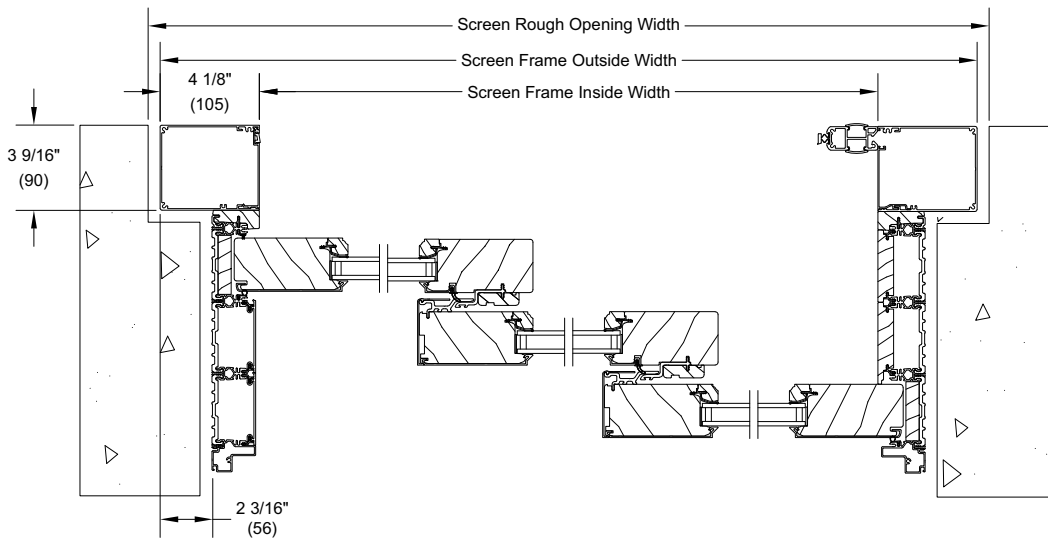
**Screen Frame Outside Height:** Bottom of screen sill to top of screen head jamb

**Screen Frame Inside Height:** Top of screen sill to bottom of screen head jambs. Flush with inside door liners

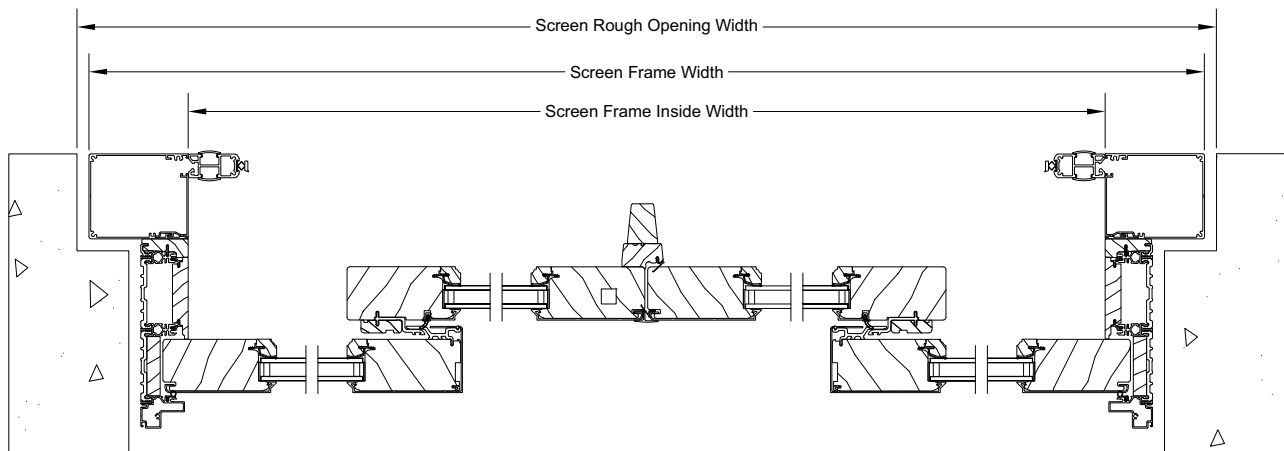
**Screen Frame Rough Opening:** Bottom of total RO to  $\frac{1}{2}''$  (13) above screen Frame

**Section Details: Uni-Directional and Bi-Parting Stacked with Screen**

Scale: Not to Scale



**UMSD STK  
Uni-Directional XXO**



**UMSD STK  
Bi-Parting OX-XO**

**Description of Measurements Used:**

**Screen Rough Opening Width:** 1" wider than Screen Frame Outside Width

**Screen Frame Outside Width:** The widest measurement of the screen frame width

**Screen Frame Inside Width:** Inside measurement of door and screen to interior