

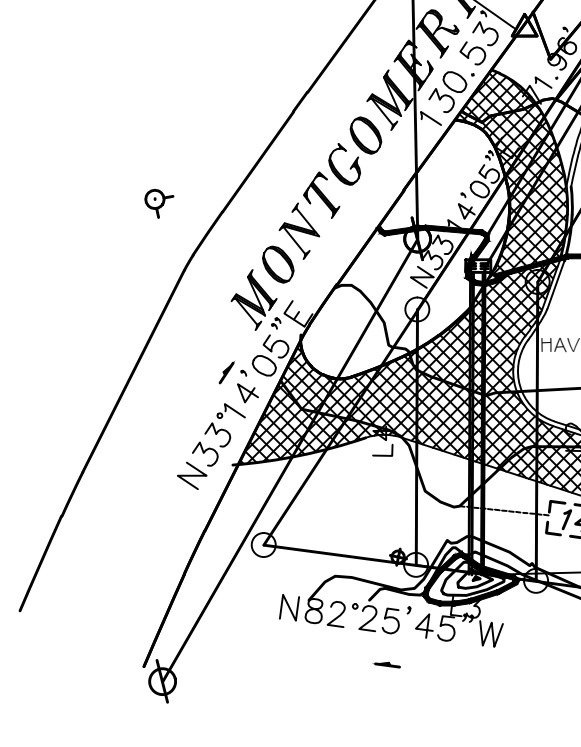
No.	Bearing	Distance
L1	N65°17'20"E	2.85'
L2	S51°54'28"E	25.08'
L3	S30°56'36"W	19.85'
L4	N69°46'19"W	15.94'

Town drainage Easement 3-16-2020

No.	Bearing	Distance
L1	S30°56'36"W	57.13'
L2	S00°17'09"W	62.22'
L3	N82°25'45"W	25.20'
L4	N00°17'09"E	53.22'
L5	S69°46'19"E	15.94'

Village Drainage easement 3-16-2020

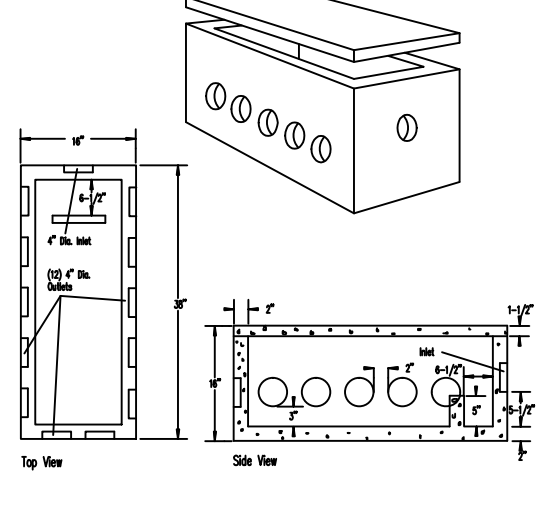
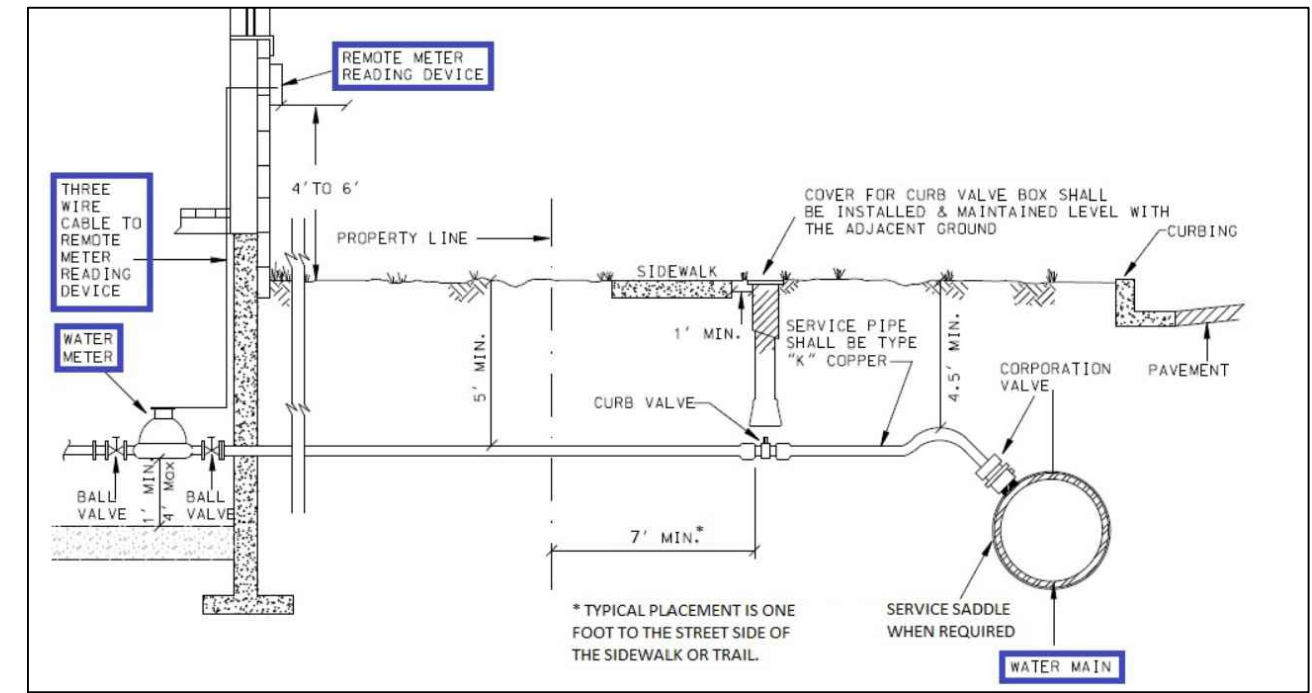
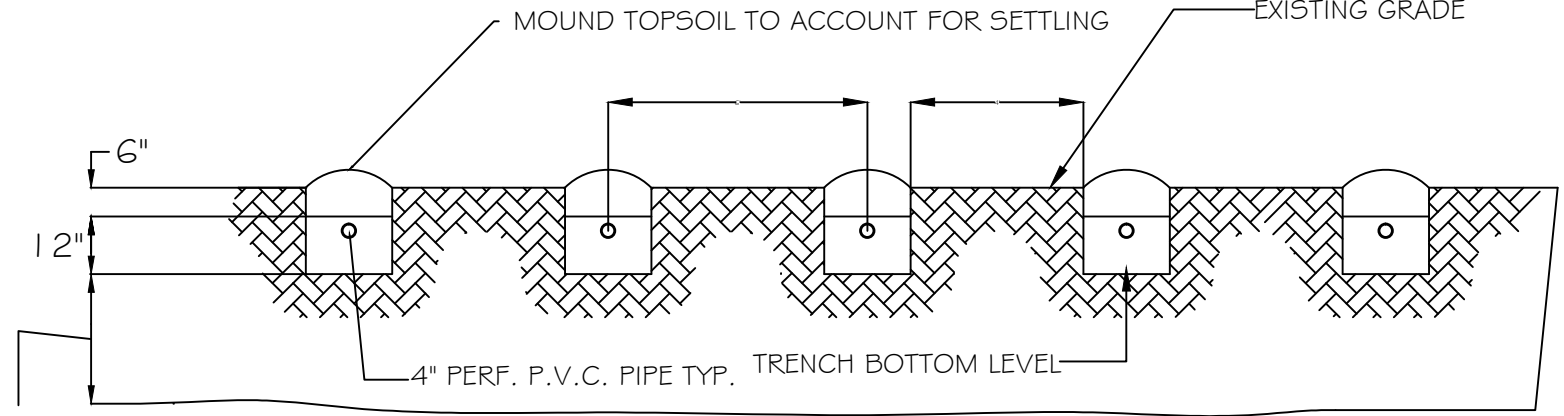
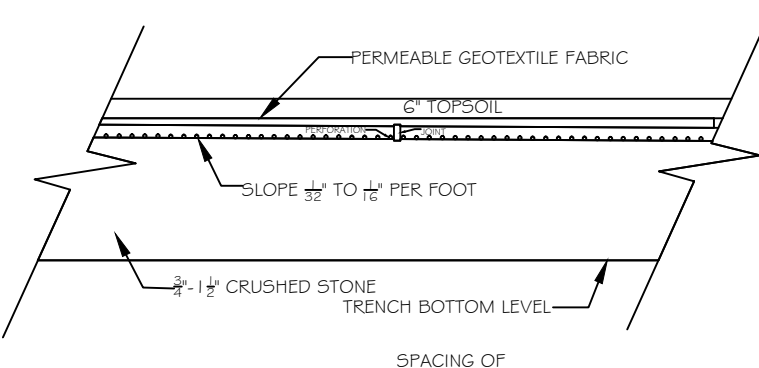
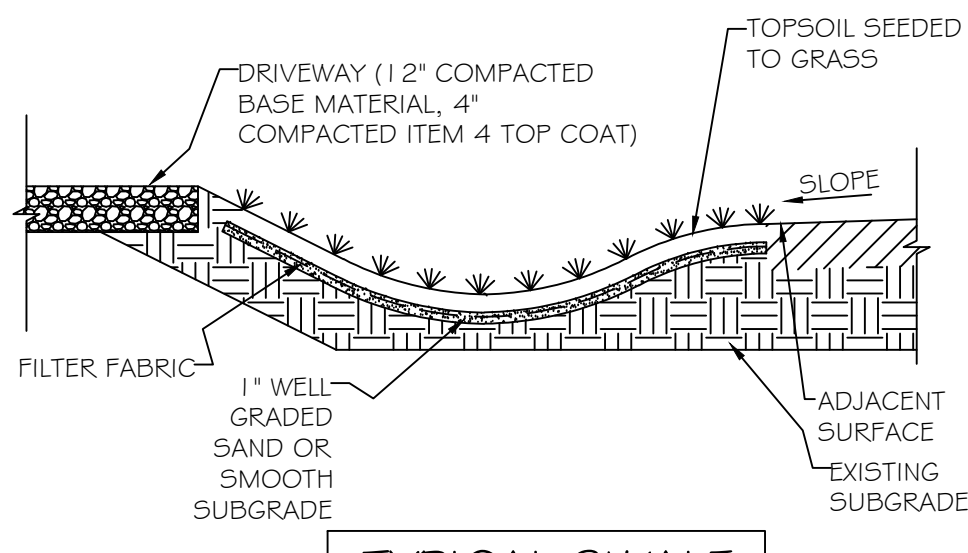
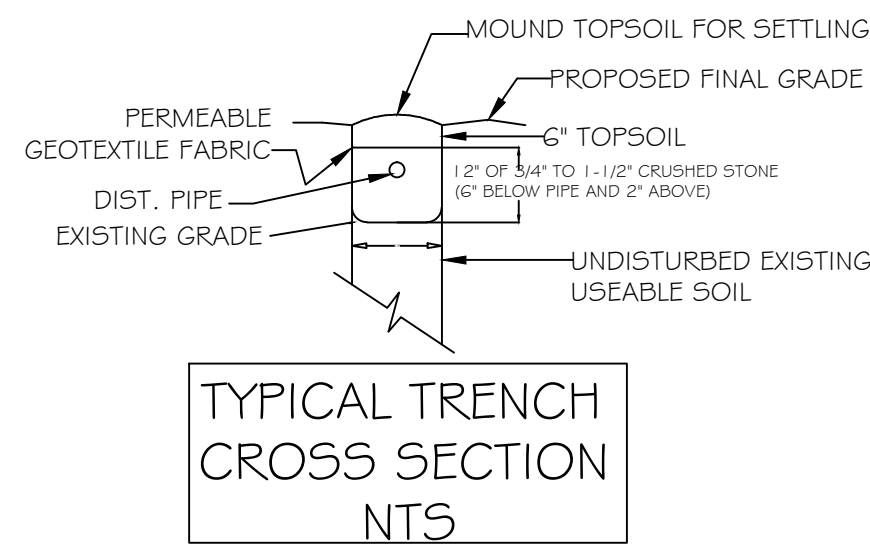
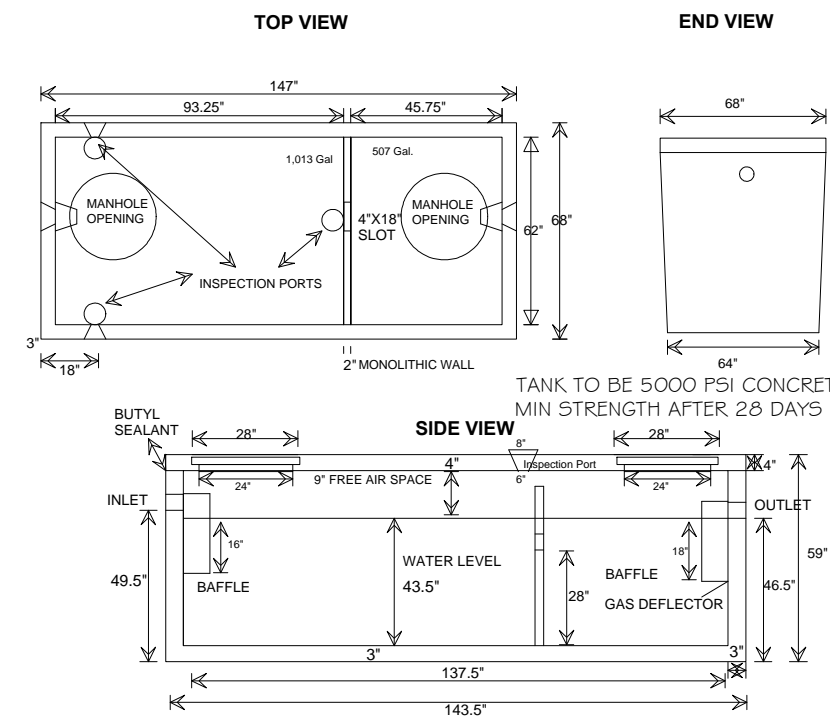
benchmark spike in edge of road elev. 143.78'



No.	Bearing	Distance
L1	N65°17'20"E	40.12'
L2	N56°43'15"E	38.07'
L3	S89°33'30"W	11.43'

No.	Delta	Radius	Arc Length	Chord Length	Chord Bearing
C1	15°16'43"	1943.08	518.15	516.61	S76°03'30"W

AREA 3.570 ac. IN TOWN RA10 ZONE
 AREA .765 ac. IN VILLAGE R10 ZONE

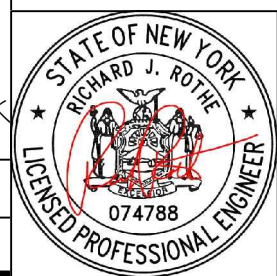


NOTES:
 1. SEPTIC TANK TO BE PLACED ON AT LEAST A THREE INCH BED OF SAND OR PEA GRAVEL.
 2. ACCESS MUST BE PROVIDED VIA RISER OR MANHOLE IF EARTH COVER EXCEEDS 12".
 3. TANK TO BE TESTED FOR WATER TIGHTNESS IF IT IS DELIVERED IN SECTIONS.
 4. ALL PIPE PENETRATIONS TO BE SEALED WATERTIGHT.

BUOYANCY CALCULATIONS:
 VOLUME OF INSIDE OF TANK 62"Wx43.5"H(LIQUID LEVEL)x137.5"L = 370,837 CUBIC INCHES DIVIDED BY 1728 CUBIC INCHES/CUBIC FOOT = 214.6 CUBIC FEET MULTIPLY TIMES DENSITY OF SEWAGE SLUDGE SINCE LESS THAT DENSITY OF WATER (CONSERVATIVE) x 45 LBS/FT³ = 9659 LBS + 13,000 LBS (MANUFACTURER INDICATED TANK WEIGHT) = 22,659 LBS TANK FULL NO SOIL COVER FIGURED.
 TOTAL DISPLACEMENT OF TANK 62"Wx59"Hx143.4"L=575,321 CUBIC INCHES DIVIDED BY 1728 CUBIC INCHES/CUBIC FOOT = 333 FT³ x 62.4 LBS/FT³ (DENSITY OF WATER) = 20,779 LBS NOT ENOUGH TO FLOAT TANK.

ROTHE ENGINEERING, P.C.

PROPOSED SEWAGE TREATMENT SYSTEM ON LANDS OF STOUT
 GRID #89-6170-00-423704-TOWN OF RHINEBECK
 GRID #01-6170-10-371687-VILLAGE OF RHINEBECK
 DUTCHESS COUNTY
 SCALE: 1" = 40'
 SHEET 2 OF 2
 LAST MODIFIED: 1/21/2020



NOTES:
 1. DISTRIBUTION BOX MUST BE SET ON A 12" BED OF SAND, PEA GRAVEL.