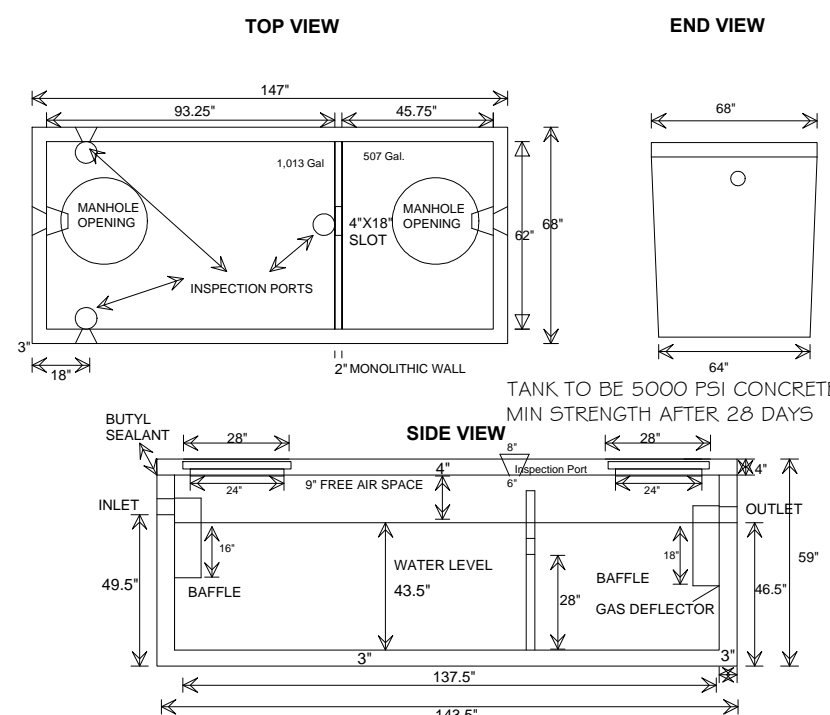


No.	Bearing	Distance
L1	N65°17'20"E	40.12'
L2	N56°43'15"E	38.07'
L3	S89°33'30"W	11.43'

No.	Delta	Radius	Arc Length	Chord Length	Chord Bearing
C1	15°16'43"	1943.08	518.15	516.61	S76°03'30"W

AREA
3.570
ac.
IN
TOWN
RA10
ZONE

AREA
.765
ac.
IN
VILLAGE
R10
ZONE

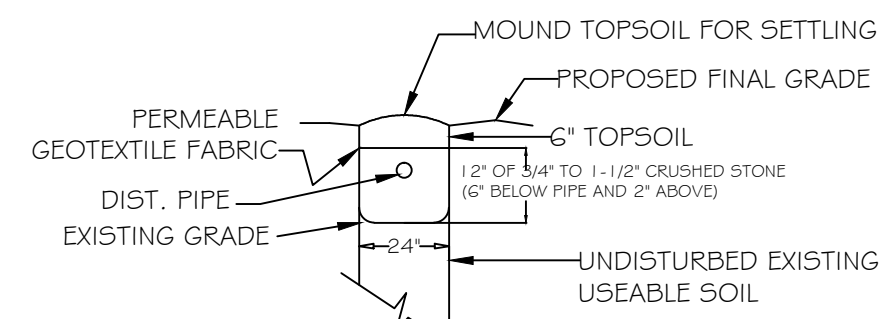


1500 GALLON SEPTIC TANK DETAIL

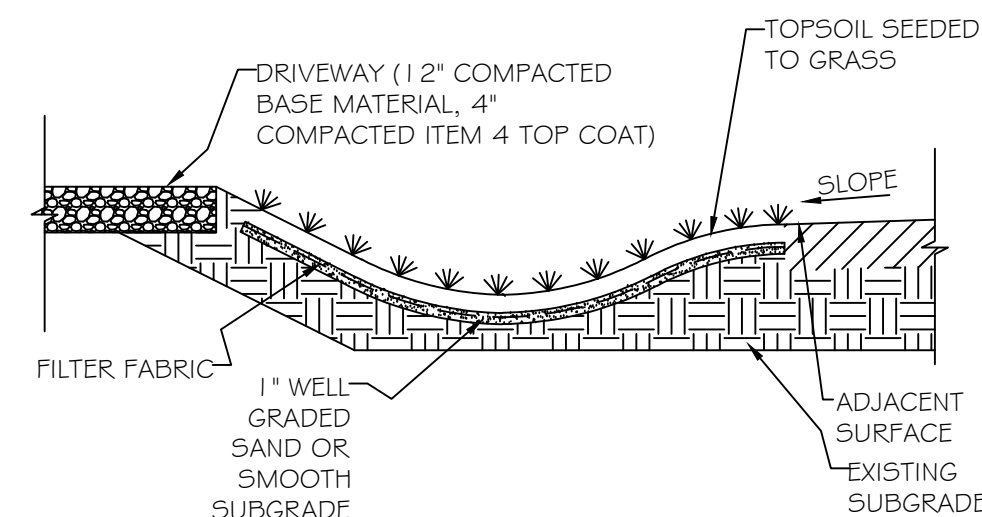
NOTES:

- SEPTIC TANK TO BE PLACED ON AT LEAST A THREE INCH BED OF SAND OR PEA GRAVEL.
- ACCESS MUST BE PROVIDED VIA RISER OR MANHOLE IF EARTH COVER EXCEEDS 12".
- TANK TO BE TESTED FOR WATER TIGHTNESS IF IT IS DELIVERED IN SECTIONS.
- ALL PIPE PENETRATIONS TO BE SEALED WATERTIGHT.

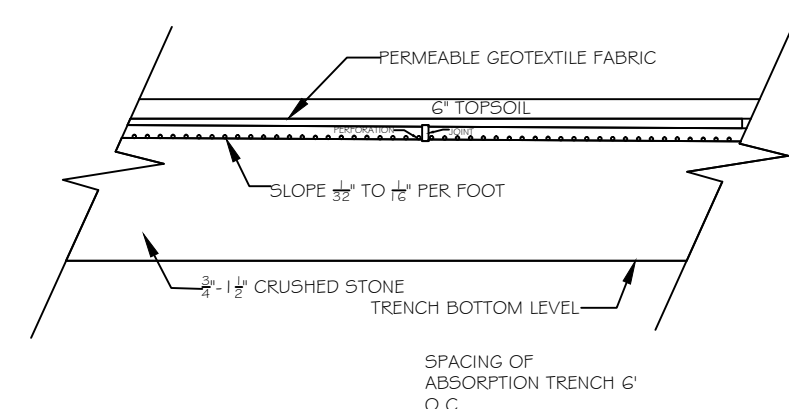
BUOYANCY CALCULATIONS:
 VOLUME OF INSIDE OF TANK 62"Wx43.5"H(LIQUID LEVEL) x 137.5"L
 = 370,837 CUBIC INCHES DIVIDED BY 1728 CUBIC INCHES/CUBIC FOOT = 214.6 CUBIC FEET MULTIPLY TIMES DENSITY OF SEWAGE SLUDGE SINCE LESS THAT DENSITY OF WATER (CONSERVATIVE) x 45 LB9/FT3 = 9659 LBS + 13,000 LBS (MANUFACTURER INDICATED TANK WEIGHT) = 22,659 LBS TANK FULL NO SOIL COVER FIGURED.
 TOTAL DISPLACEMENT OF TANK 68Wx59"Hx143.4"L=575,321 CUBIC INCHES DIVIDED BY 1728 CUBIC INCHES/CUBIC FOOT=333 FT3 x 62.4 LB9/FT3 (DENSITY OF WATER)= 20,779 LBS NOT ENOUGH TO FLOAT TANK.



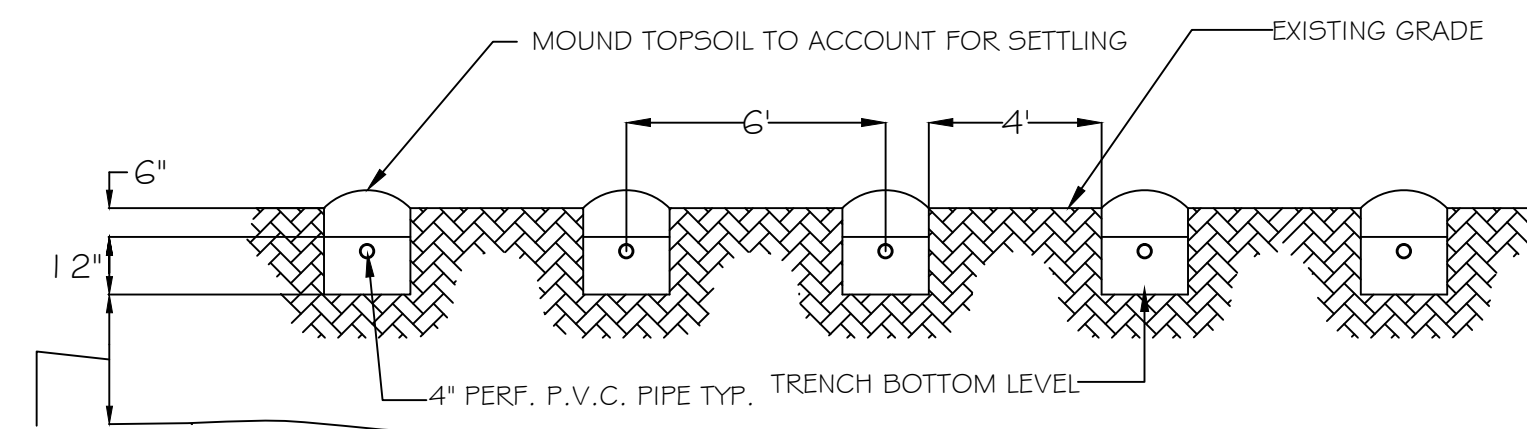
TYPICAL TRENCH CROSS SECTION NTS



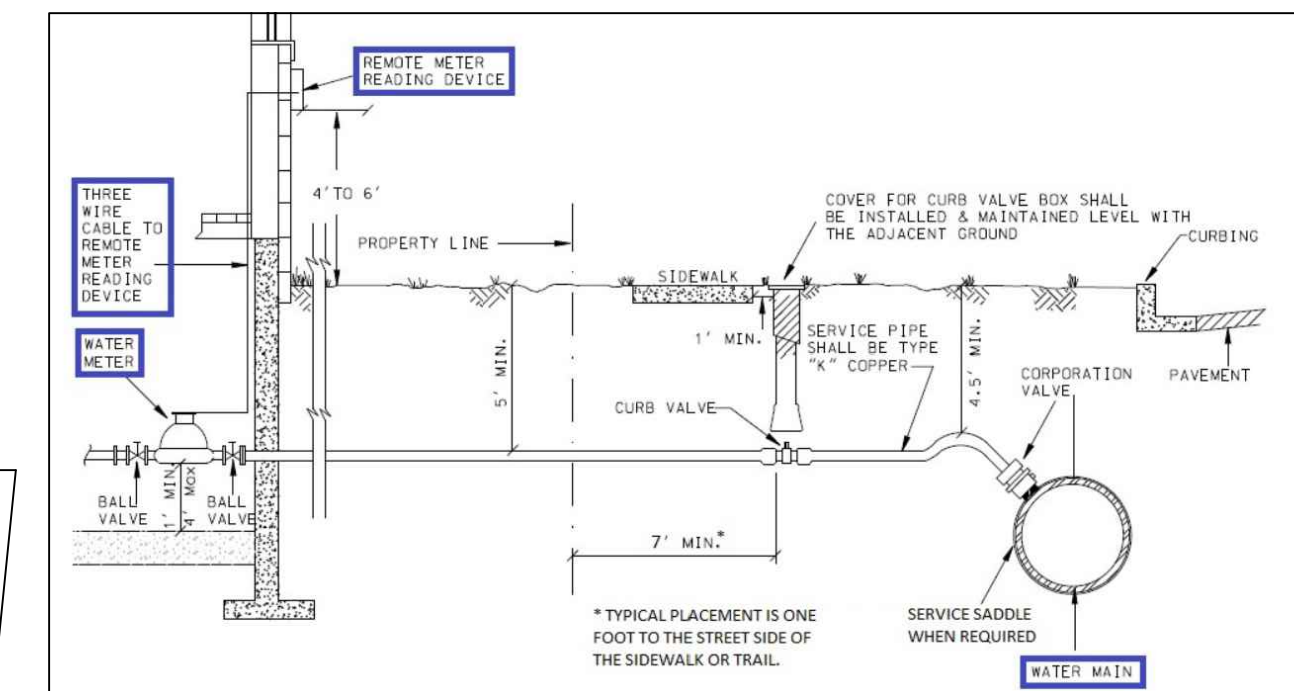
TYPICAL SWALE DETAIL NTS



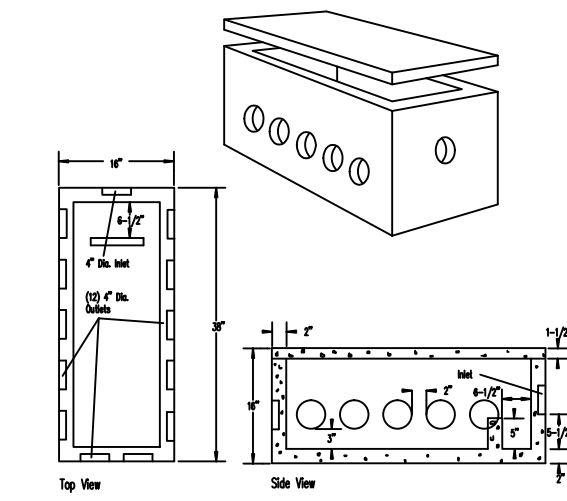
TYPICAL LONGITUDINAL TRENCH PROFILE NTS



SYSTEM CROSS SECTION NTS



WATER CONNECTION DETAIL NTS



12 OUTLET PRECAST DISTRIBUTION BOX

NOTES:

- DISTRIBUTION BOX MUST BE SET ON A 12" BED OF SAND, PEA GRAVEL.

ROTHE ENGINEERING, P.C.

PROPOSED SEWAGE TREATMENT SYSTEM ON LANDS OF STOUT
 GRID #89-G170-00-423704-TOWN OF RHINEBECK
 GRID #01-G170-10-371687-VILLAGE OF RHINEBECK
 DUTCHESS COUNTY

SCALE: 1" = 40'
 SHEET 2 OF 2
 LAST MODIFIED: 9/1/2020

